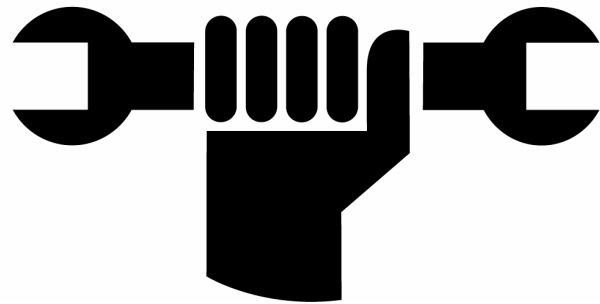


***FRM***



2010

SPARE PART

MANUAL

&

PRICE LIST

# INDEX

## CRANKSETS

CU2-M27 Integral	Page 3
CU2-M27 Integral BB-30	Page 4
CU2-M18NS Integral	Page 5
CU2-M18NS Integral	Page 6

## FRONT HUBS

FL-R Team CA & HCB CA (Road)	Page 7
SP-R Team (Road)	Page 8
SP-R Team CA & HCB CA (Road)	Page 9
URANO Team & Pro (MTB)	Page 10
LEFTY URANO Team & Pro (MTB)	Page 11
TITANO	Page 12

## REAR HUBS

FL-R Team CA (Road)	Page 13
SP-R Team (Road)	Page 14
SP-R Team CA (Road)	Page 15
URANO Team & Pro (MTB)	Page 16
TITANO (MTB)	Page 17

## QUICK RELEASE

SK-Pro SK-R Team SK-M Team	
SK-R Team SL SK-M Team SL	Page 18

## HEADSET

D-SET Team	Page 19
D-SET ZS Team	Page 20
I-SET Team (Integrated)	Page 21
E-SET 1,5" 1 1/8"	Page 22

## STEMS

WEB-STEM CF WEB-STEM CF Ti.	
WEB-STEM 32 WEB-STEM 32 Ti.	
LEFTY WEB-STEM CF	
LEFTY WEB-STEM CF Ti.	Page 23
HS-R BLACK HOLE	
HS-M BLACK HOLE	Page 24

## DISC BRAKES

DBR300 Caliper	
DBR250 Caliper	Page 25
DBR 300 Brake lever	
DBR 250 Brake lever	Page 26
DBR 300 Brake hose & fittings	
DBR 250 Brake hose and fittings	Page 27

## SEATPOSTS & SEATCOLLARS

ST-R11 31,6x250	ST-R11 TI. 31,6x250	
ST-M11 31,6x370	ST-M11 TI. 31,6x370	
ST-M11 30,9x370	ST-M11 TI. 30,9x370	Page 28
ST-M10 30,9x350	ST-M10 Ti 30,9x350	
ST-M10 31,6x350	ST-M10 Ti. 31,6x350	Page 29
ST-R & M Black Hole		Page 30

## SUSPENSION FORKS

AIR-WAY 89SSV Carbon	
AIR-WAY 89SSV BiCarbon	Page 31
AIR-WAY 95SSV Carbon	
AIR-WAY 95SSV BiCarbon	Page 32
AIR-WAY 115 SSV Carbon	
AIR-WAY 115 SSV BiCarbon	Page 33

## SUSPENSION FRAMES

12HP	Page 34
10HP Pro & 10HP Team	Page 35

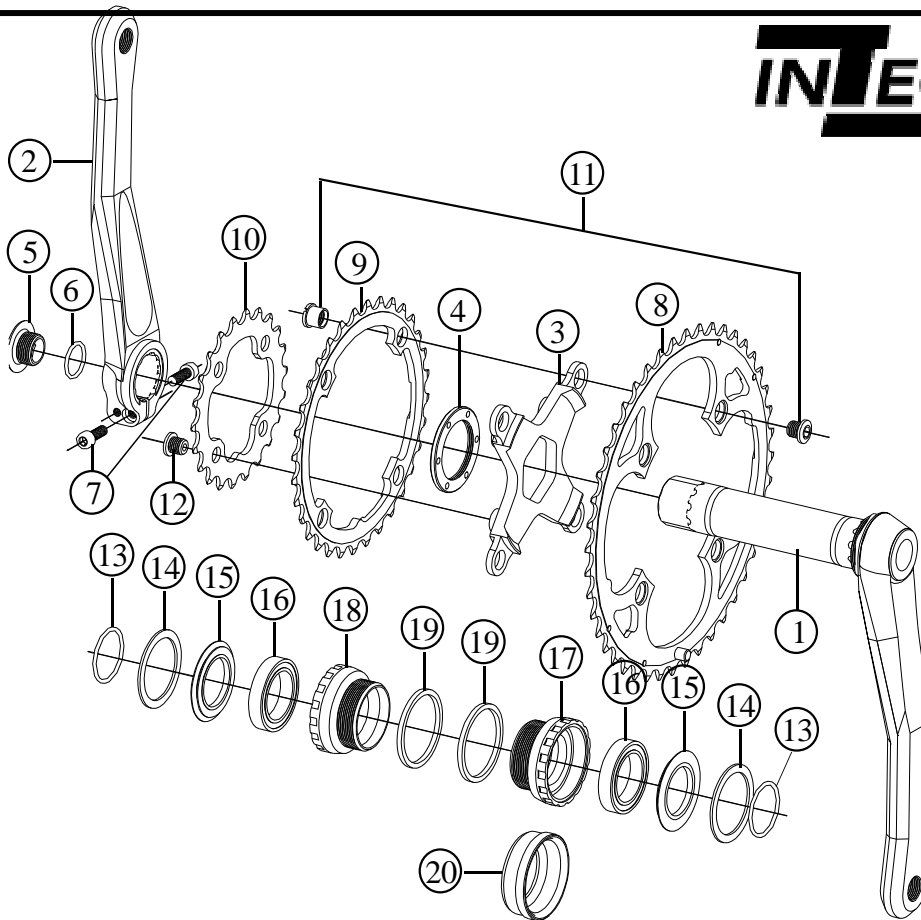
Note: new product 2010

# FRM

## Front Crankset for MTB CU2-M27 Integral

2010

# INTEGRAL DRIVE



Item no.	Code	DESCRIPTION	Price €
1	CU23R	Integral Right Arm with 25mm Axle 170-172,5-175 mm - Black	168,00
2	CU24L	Clamp Type Left Arm 170-172,5-175 mm - Black	115,00
3	CU25M	4 Arm Spider for triple rings (110/64 mm B.C.D.) Black	77,00
4	CU006	Spider Lock Ring	5,50
5	CU18R	Bolt for Play Adjustment. <b>Red, Gold or Blue</b> with "Titanium Bolts" laser etching	4,50
6	OR2056	O-Ring 2056 ( I.D. 14 x 1,78mm) 2pcs	0,15 pc
7	TCC515TI	Allen Bolt M5 x 15 / Titanium - Gold Plated	4,90
7	TCC512TI	Allen bolt M5 x 12 / Titanium - Gold Plated	4,60
8	CU1844O	Chain Ring FRM Pro 44T (104 mm B.C.D.)	54,80
9	CU1832M	Chain Ring FRM Pro 32T (104 mm B.C.D.)	31,80
10	CU2122I	Chain Ring FRM Pro 22T (64 mm B.C.D.)	16,40
11	CU004	Chainring Fixing Bolt & Nut. Silver(4 sets)	3,60 set
11	CU004G	Chainring Fixing Bolt & Nut <b>Black, Red, Gold or Blue</b> (4 sets)	4,40 set
12	CU005	Inner Gear Fixing Bolt Unit (4pcs)	2,0 pc
13	OR2093	O-Ring 2093 (I.D. 23,52 x 1,78mm) 2pcs	0,15 pc
14	CU19BA	Rubber Seal (2pcs)	0,50 pc
15	CU19B	Dust Shield for Rubber Seal (plastic) 2pcs	2,10 pc
16	BB37257RS	Bearing 6805 2RS 37 x 2 5x 7mm (NTN Red Seal with double seal) 2pcs	16,80 pc
17	CU20BL	Left hand Cup (BC 1,37 x 24T) English Thread / Shell Width 68mm	15,00
18	CU20BR	Right hand Cup (BC 1,37 x 24T) English Thread / Shell Width 68mm	15,00
19	CU22	Spacer 2,5 mm thick. DO NOT USE WITH 73mm BB SHELLS (2pcs)	1,00 pc
20	BB-91SPEC	BB-91 kit of spares to fit 2009/10 Specialised frames. Includes 2 x (20-16-15-14-13)	70,80
20	PRESS-FIT92	Press-Fit 92 kit of spares. Includes 2 x (20-16-15-14-13)	70,80 kit
20	CU20BPF	Press-Fit 92 or BB-91 Plastic Cup for bearing (2 pcs)	10,00 pc
	CU26	Tool for Bottom Bracket Cups	18,00

Note: modified from Spare Part Manual dated 2009

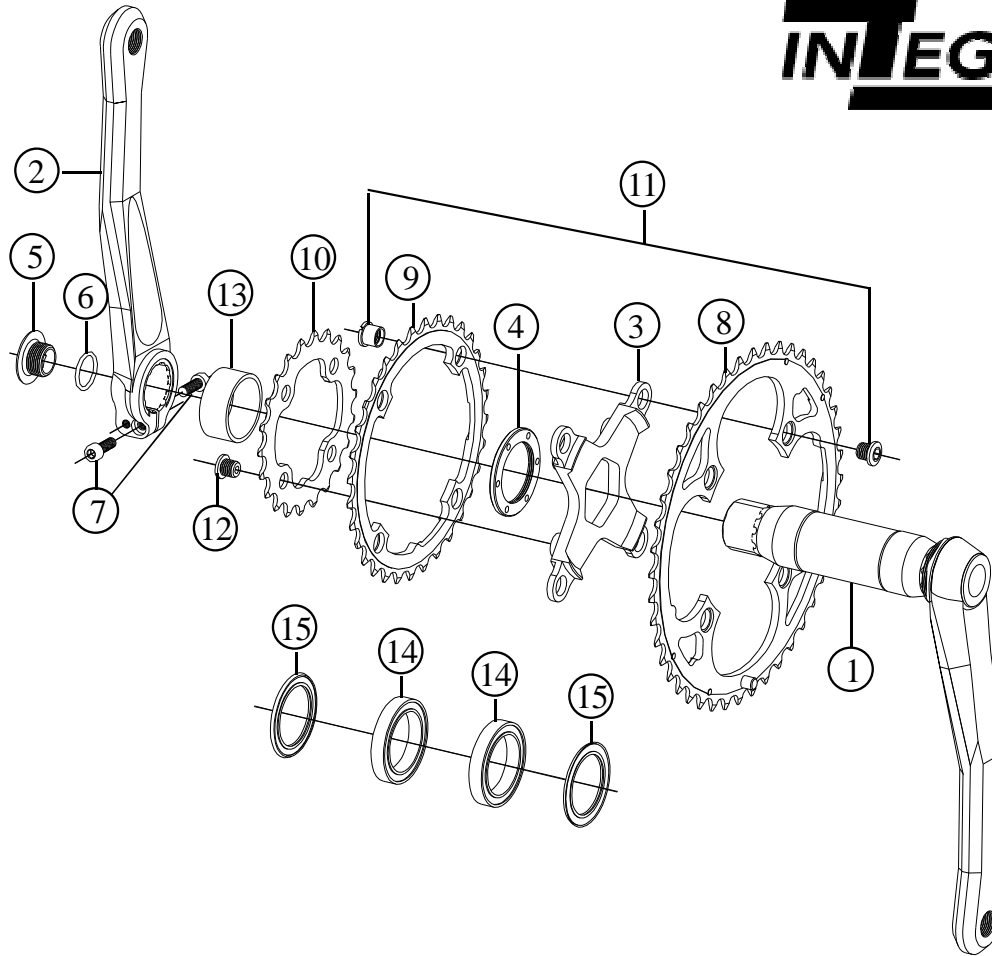
Specifications are subject to change without notice

# FRM

## Front Crankset for MTB CU2-M27NS Integral BB-30

2010

**INTEGRAL** DRIVE



Item no.	Code	DESCRIPTION	Price €
1	CU23R30	Integral Right Arm with 30mm Axle 170-172,5-175 mm - Black	175,00
2	CU24L	Clamp Type Left Arm 170-172,5-175 mm - Black	115,00
3	CU25M	4 Arm Spider for triple rings (110/64 mm B.C.D.) Black or Gold	77,00
4	CU006	Spider Lock Ring	5,50
5	CU18R	Bolt for Play Adjustment. <b>Red, Gold or Blue</b> with "Titanium Bolts" laser etching	4,50
6	OR2056	O-Ring 2056 (I.D. 14 x 1,78mm) 2pcs	0,15 pc
7	TCC515TI	Allen Bolt M5 x 15 / Titanium - Gold Plated	4,90
7	TCC512TI	Allen bolt M5 x 12 / Titanium - Gold Plated	4,60
8	CU1844O	Chain Ring FRM Pro 44T (104 mm B.C.D.)	54,80
9	CU1832M	Chain Ring FRM Pro 32T (104 mm B.C.D.)	31,80
10	CU2122I	Chain Ring FRM Pro 22T (64 mm B.C.D.)	16,40
11	CU004	Chainring Fixing Bolt & Nut Silver (4 sets)	3,60 set
11	CU004G	Chainring Fixing Bolt & Nut <b>Black, Red, Gold or Blue</b> (4 sets)	4,40 set
12	CU005	Inner Gear Fixing Bolt Unit (4 pcs)	2,2 pc
13	BB30SPA15	Plastic Spacer 15mm long for 68mm shell (2pcs)	1,50
13	BB30SPA12	Plastic Spacer 12,5mm long for 73mm shell (2pcs)	1,50
14	BB42307RS	Bearing 61806 2RS 42 x 30 x 7mm Enduro LLB ABEC5 (2pcs)	13,00 pc
15	SEMR3042	Rubber Lip Seal 42 x 30 x 1,6mm (2pcs)	3,4 pc
	CU26	Tool for Bottom Bracket Cups	18,00

Note: modified from Spare Part Manual dated 2009

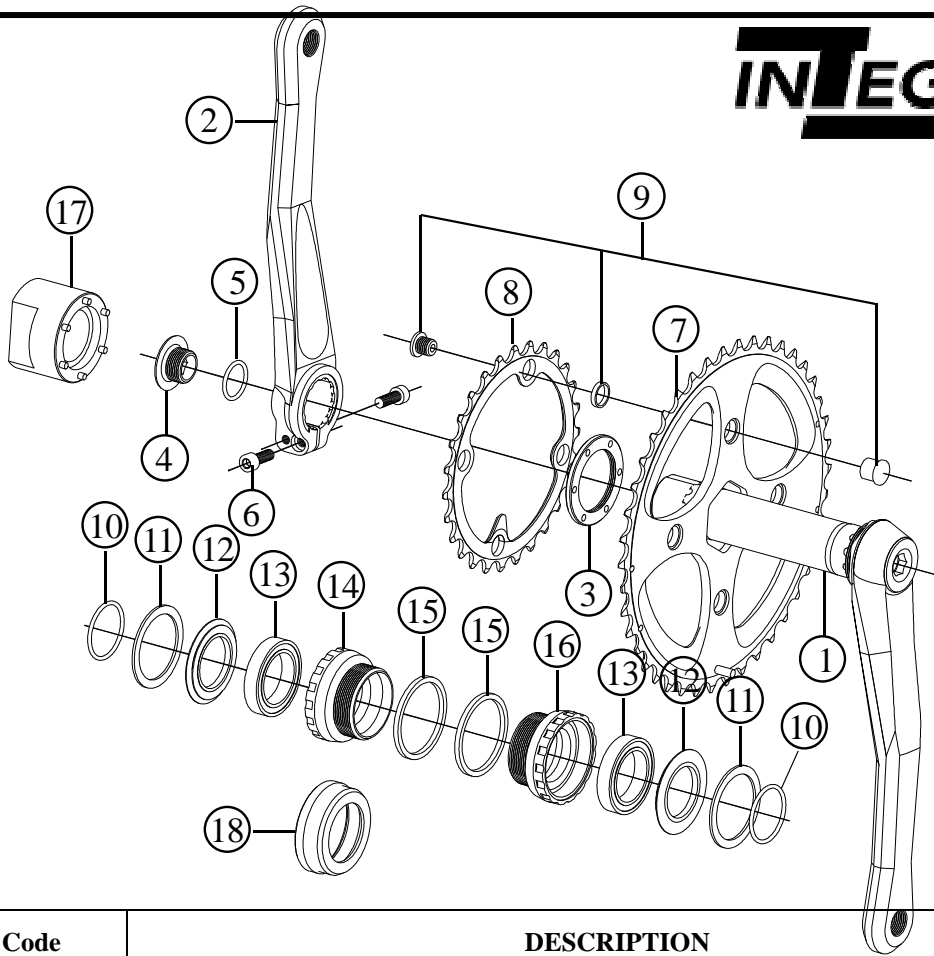
Specifications are subject to change without notice

# FRM

## Front Crankset for MTB CU2-M18NS Integral

2010

# INTEGRAL DRIVE



Item no.	Code	DESCRIPTION	Price €
1	CU23R	Integral Right Arm with 25mm Axle 170-172,5-175 mm – Black	168,00
1	CU23RLQ	Integral Right Arm with 25mm Axle. Low Q-Factor 170-172,5-175 mm - Black	168,00
2	CU24L	Clamp Type Left Arm 170-172,5-175 mm - Black	115,00
2	CU24LLQ	Clamp Type Left Arm. Low Q-Factor 170-172,5-175 mm - Black	115,00
3	CU006	Lock Ring	5,50
4	CU18R	Bolt for Play Adjustment. Red, Gold or Blue with "Titanium Bolts" laser etching	4,50
5	OR2056	O-Ring 2056 (I.D. 14 x 1,78mm) 2pcs	0,15 pc
6	TCC515TI	Allen Bolt M5 x 15 / Titanium - Gold Plated	4,90
6	TCC512TI	Allen bolt M5 x 12 / Titanium - Gold Plated	4,60
7	CU42NS	Chain Ring NS 42T BCD 85mm Gold or Red anodised	75,60
7	CU40NS	Chain Ring NS 40T BCD 85mm Gold or Red anodised	75,60
7	CU39NS	Chain Ring NS 39T BCD 64mm Gold or Red anodised	75,60
8	CU27NS	Chain Ring NS 27T BCD 85mm (compatible with 40/42NS rings only) Gold or Red anodised	34,60
8	CU25NS	Chain Ring NS 25T BCD 64mm (compatible with 39NS ring only) Gold or Red anodised	34,60
9	CU004G	Chainring Fixing Bolt & Nut Black, Red, Gold or Blue (4 sets)	4,40 set
10	OR2093	O-Ring 2093 (I.D. 23,52 x 1,78mm) 2pcs	0,15 pc
11	CU19BA	Rubber Seal (2pcs)	0,50 pc
12	CU19B	Dust Shield for Rubber Seal (plastic)	2,10
13	BB37257RS	Bearing 6805 2RS 37 x 25 x 7mm (NTN Red Seal with double seal) 2pcs	16,80 pc
14	CU20BR	Right hand Cup (BC 1,37 x 24T) English Thread / Shell Width 68mm	15,00
15	CU22	Spacer 2,5mm thick. DO NOT USE WITH 73mm BB SHELLS (2pcs)	1,00 pc
16	CU20BL	Left hand Cup (BC 1,37 x 24T) English Thread / Shell Width 68mm	15,00
18	BB-91SPEC	BB-91 kit of spares to fit 2009/10 Specialised frames. Includes 2 x (18-10-11-12-13)	70,80
18	PRESS-FIT92	Press-Fit 92 kit of spares. Includes 2 x (18-10-11-12-13)	70,80
18	CU20BPF	Press-Fit 92 or BB-91 Plastic Cup for bearing (2 pcs)	10,00 pc
17	NSTOOL25	Tool to disassemble the Lock Ring with 25mm axle dia.	18,20

Note: modified from Spare Part Manual dated 2009

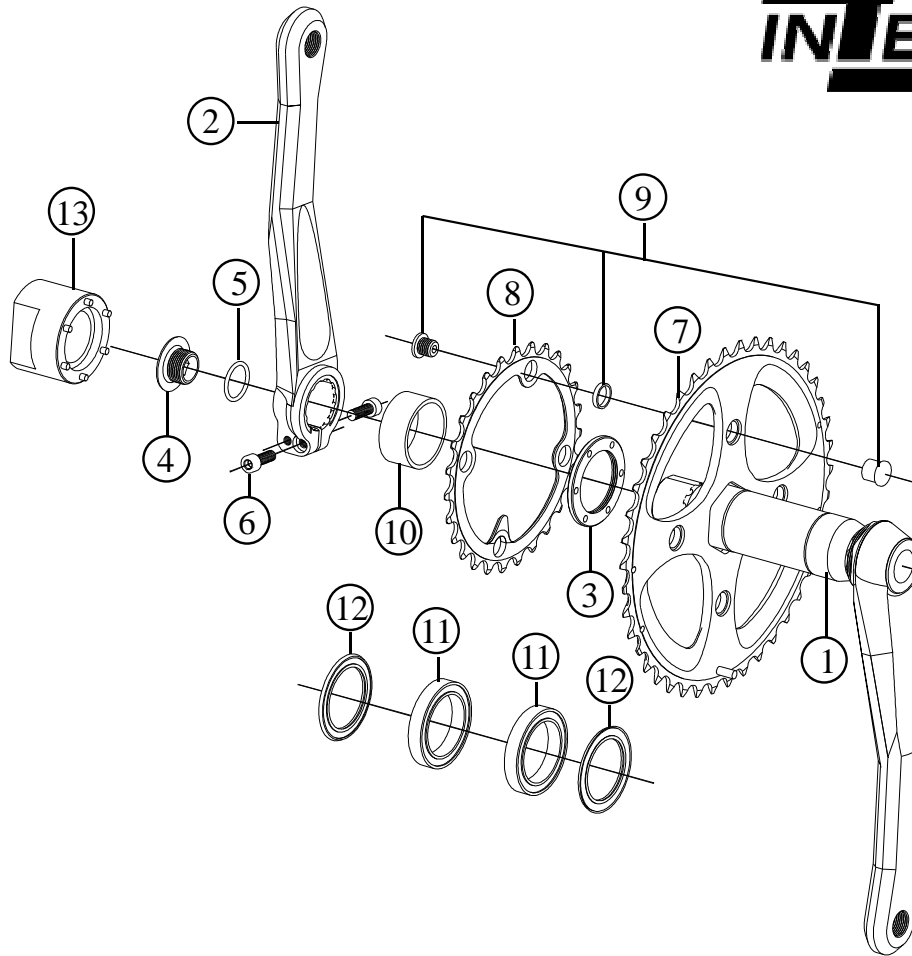
Specifications are subject to change without notice

# FRM

## Front Crankset for MTB CU2-M18NS Integral BB-30

2010

**INTEGRAL** DRIVE



Item no.	Code	DESCRIPTION	Price €
1	CU23R30	Integral Right Arm with 30mm Axle 170-172,5-175 mm – Black	175,00
1	CU23R30LQ	Integral Right Arm with 30mm Axle. Low Q-Factor 170-172,5-175 mm - Black	168,00
2	CU24L	Clamp Type Left Arm 170-172,5-175 mm - Black	115,00
2	CU24LLQ	Clamp Type Left Arm. Low Q-Factor 170-172,5-175 mm - Black	115,00
3	CU006	Lock Ring	5,50
4	CU18R	Bolt for Play Adjustment. Red, Gold or Blue with “Titanium Bolts” laser etching	4,50
5	OR2056	O-Ring 2056 ( I.D. 14 x 1,78mm) 2pcs	0,15 pc
6	TCC515TI	Allen Bolt M5 x 15 / Titanium - Gold Plated	4,90
6	TCC512TI	Allen bolt M5 x 12 / Titanium - Gold Plated	4,60
7	CU42NS	Chain Ring NS 42T BCD 85mm Gold or Red anodised	75,60
7	CU40NS	Chain Ring NS 40T BCD 85mm Gold or Red anodised	75,60
7	CU39NS	Chain Ring NS 39T BCD 64mm Gold or Red anodised	75,60
8	CU27NS	Chain Ring NS 27T BCD 85mm (compatible with 40/42NS rings only) Gold or Red anodised	34,60
8	CU25NS	Chain Ring NS 25T BCD 64mm (compatible with 39NS ring only) Gold or Red anodised	34,60
9	CU004G	Chainring Fixing Bolt & Nut Black, Red, Gold or Blue (4 sets)	4,40 set
10	BB30SPA15	Plastic Spacer 15mm long for 68mm shell (2pcs)	1,50 pc
10	BB30SPA12	Plastic Spacer 12,5mm long for 73mm shell (2pcs)	1,50 pc
11	BB42307RS	Bearing 61806 2RS 42 x 30 x 7mm Enduro LLB ABEC5 (2pcs)	13,00 pc
12	SEMR3042	Rubber Lip Seal 42 x 30 x 1,6mm (2pcs)	3,4 pc
13	NSTOOL30	Tool to disassemble the Lock Ring with 30mm axle dia.	18,20

Note: modified from Spare Part Manual dated 2009

Specifications are subject to change without notice

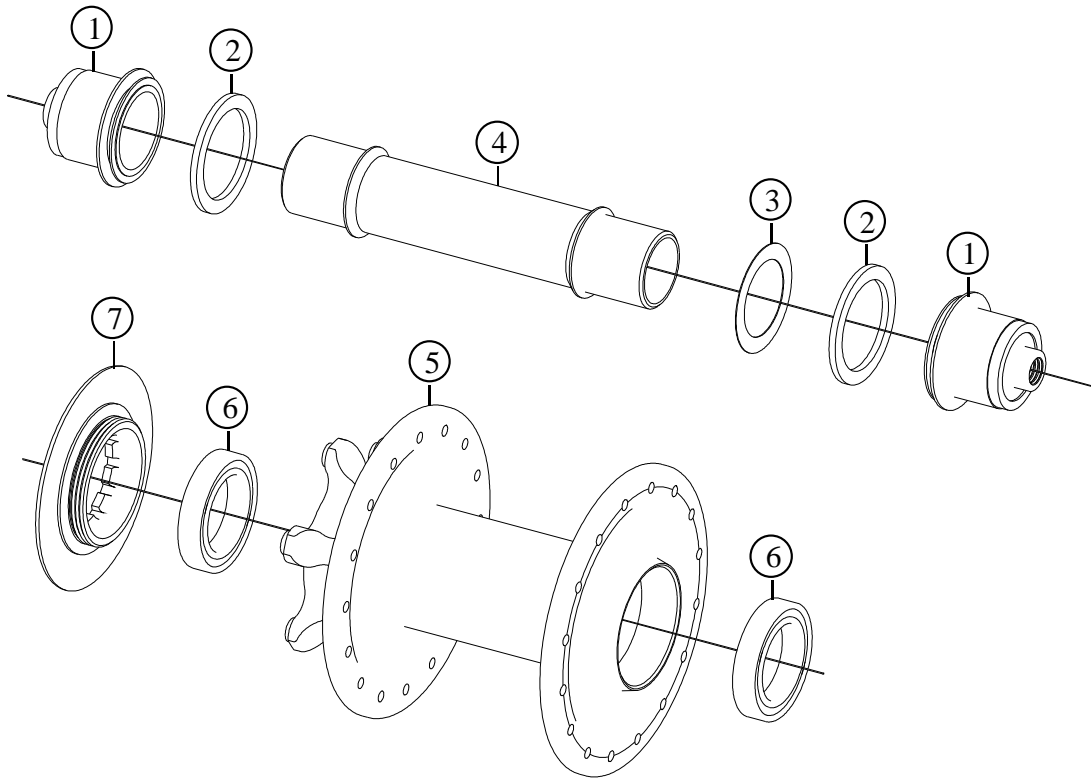






**FRM**  
Front Hub for MTB  
**URANO - New**

**2010**



**ALSO SUPPLIED ON WHEELSETS: Urano XC Team, Urano XC Team Tubular, Urano XC Pro, Urano XC Comp**

Item no.	Code	DESCRIPTION	Price €
1	FHURACE	Axle Cap End. Inner dia. 17mm/ Light Alloy (2pcs)	4,00 pc
2	RS262014	Rubber Seal: 26 x 20 x 1,4mm (2pcs)	0,30 pc
3	SW1724015	Steel washer: 17 x 24 x 0,15mm	0,10
4	FHURAX	Axle dia. 17mm. Light Alloy. Hard Anodised	25,00
5	FHURB32BLK	Hub Body /Alloy. Black anodised. 32H	50,00
5	FHURB28RD	Hub Body /Alloy. Red anodised. 28H	50,00
5	FHURB28GD	Hub Body /Alloy. Gold anodised. 28H	50,00
5	FHURB28BE	Hub Body /Alloy. Blue anodised. 28H	50,00
5	FHURB24RD	Hub Body /Alloy. Red anodised. 24H	50,00
5	FHURB24GD	Hub Body /Alloy. Gold anodised. 24H	50,00
5	FHURB24BE	Hub Body /Alloy. Blue anodised. 24H	50,00
6	EB61803	Bearing Enduro 17 x 26 x 5mm ABEC5 61803 2RS (2pcs)	9,30 pc
7	URDLRBLK	Disc Lock-Ring. / Light Alloy. Black	10,00
7	URDLRRD	Disc Lock-Ring. / Light Alloy. Red	10,00
7	URDLRGD	Disc Lock-Ring. / Light Alloy. Gold	10,00
7	URDLRBE	Disc Lock-Ring. / Light Alloy. Blue	10,00

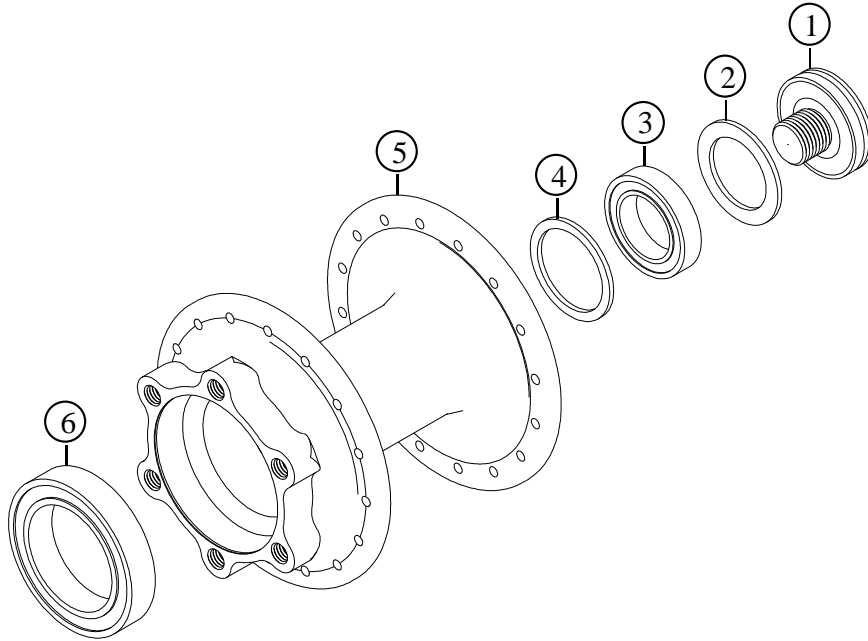
Specifications are subject to change without notice

# FRM

Front Hub for MTB

## URANO Lefty - New

2010



ALSO SUPPLIED ON WHEELSETS: LEFTY Urano XC Team, Urano XC Team Tubular, Urano XC Pro, Urano XC Comp

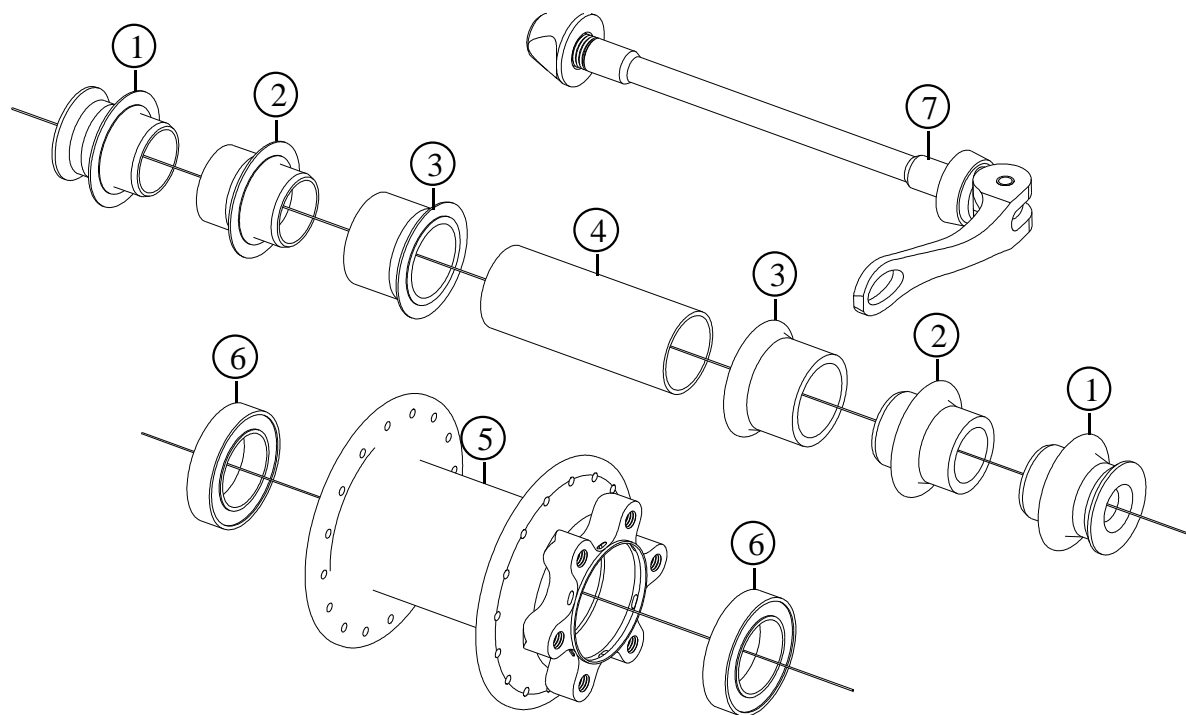
Item no.	Code	DESCRIPTION	Price €
1	FH116L	Lock-nut bolt in light alloy. Thread 10x1 mm	5,00
2	3FH02DS	Rubber Seal: 24 x 17 x 1	0,30
3	EB6802	Bearing Enduro 24 x 15 x 5mm ABEC5 6802 2RS	8,50
4	FHURLYSP	Bearing Spacer 23,8 x 19,5 x 1,2mm / Light Alloy	0,60
5	FHURLYB32BLK	Hub Body /Alloy. Black anodised. 32H	60,00
5	FHURLYB28RD	Hub Body /Alloy. Red anodised. 28H	60,00
5	FHURLYB28GD	Hub Body /Alloy. Gold anodised. 28H	60,00
5	FHURLYB28BE	Hub Body /Alloy. Blue anodised. 28H	60,00
5	FHURLYB24RD	Hub Body /Alloy. Red anodised. 24H	60,00
5	FHURLYB24GD	Hub Body /Alloy. Gold anodised. 24H	60,00
5	FHURLYB24BE	Hub Body /Alloy. Blue anodised. 24H	60,00
6	BB37257RS	Bearing 6805 2RS 37 x 25 x 7mm (NTN Red Seal with double seal)	16,80

Specifications are subject to change without notice

# FRM

Front Hub for MTB  
**TITANO - New**

2010



**SUPPLIED ONLY ON WHEELSETS: Titano Trail, Titano All Mountain**

Item no.	Code	DESCRIPTION	Price €
1	FHTIACQR9	Axle Cap End QR9, compatible with Task Team through-axle skewer. Light Alloy (2pcs)	5,50 pc
2	FHTIACQR15	Axle Cap End QR15. Light Alloy (2pcs)	5,50 pc
3	FHTIACQR20	Axle Cap End QR20. Light Alloy (2pcs)	5,50 pc
4	FHTISP	Spacer 22x57mm. Light Alloy	5,50
5	FHTIB32BLK	Hub Body . Alloy. Black anodised. 32H	60,00
5	FHTIB28RD	Hub Body. Alloy. Red anodised. 28H	60,00
5	FHTIB28GD	Hub Body. Alloy. Gold anodised. 28H	60,00
5	FHTIB28BE	Hub Body. Alloy. Blue anodised. 28H	60,00
5	FHTIB24RD	Hub Body. Alloy. Red anodised. 24H	60,00
6	EB61804	Enduro bearing 20 x 32 x 7mm ABEC5 2RS (2pcs)	10,80 pc
7		Task Team front skewer. QR9	22,50

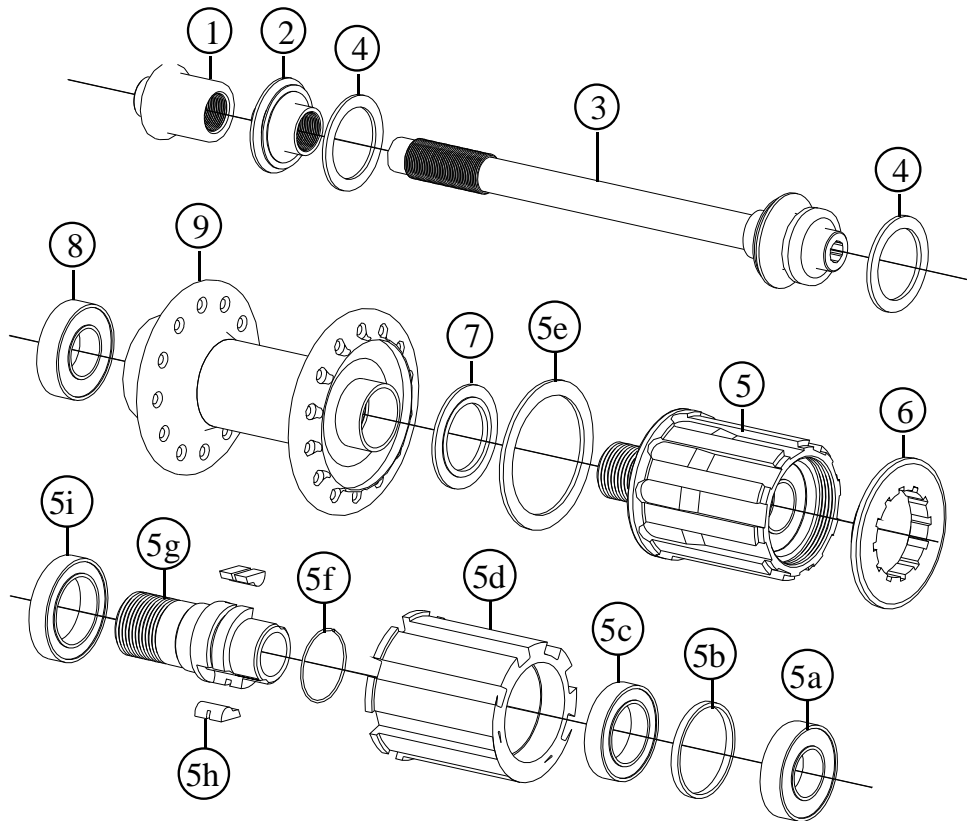
Specifications are subject to change without notice

# FRM

Rear Hub for Road Only

FL-R Team CA

2010



**ALSO SUPPLIED ON WHEELSET FL-R21 Aero**

Item no.	Code	DESCRIPTION	Price €
1	RH003CA	Lock Nut for carbon fibre axle / Light alloy	3,70
2	RHA01C2	Inner Nut for carbon fibre axle with rubber seal seat / Light alloy	3,70
3	FH04CCA	Carbon Fibre Axle with bonded Ends (Stainless Steel Thread)	30,00
4	3FH02DS	Rubber Seal: 24 x 17 x 1mm (2pcs)	0,30 pc
5	RH4SD152TDSS	Freehub Body Ass.: SH Compat. Titanium Bolt M15 x 2 starts. New rubber Seal	116,00
5	RH4SD152TC	Freehub Body Ass.: Campy Compat. Titanium Bolt M15 x 2 starts.	116,00
5e	RHSDRS	Freewheel Rubber seal (only for Shimano compatible outer shells)	0,50
6	RHLRSH11	Lock-ring in light alloy for cog-set – Shimano 11T	8,00
6	RHLRSH12	Lock-ring in light alloy for cog-set – Shimano 12T	8,00
6	RHLRCA12	Lock-ring in light alloy for cog-set – Campy 12T	8,00
8 - 5a	HB24126	Outer Bearing 24 x 12 x 6mm 6901 2RS	7,50
5b	RH04SL1	Freewheel Body Bearing Spacer / Light Alloy	0,60
5c	HB24155	Freewheel Body Middle Bearing 24 x 15 x 5mm 6802 2RS	8,50
5d	RH04SLSDSS	Freehub Shell Shimano Compat. Light Alloy. New rubber seal	33,0
5d	RH04RSC	Freehub Shell Campy Compat. Light Alloy	33,0
5f	RHLS07	Pawls Spring 0,7mm	0,50
5g	RHFWD152T	Freewheel Body Fixing Bolt M15 x 2 starts / Titanium	40,00
5h	RH04LP	Freewheel pawl /High Tensile Steel (Silicium 52) (2pcs)	10,0 pc
5i	HB26175	Freewheel Body Inner Bearing 26 x 17 x 5mm 6803 2RS	9,30
7	RH04SL3B	Freewheel Body Washer / Hardened Steel. 2,7mm thick	10,00
9	RH05G24S	Hub Body M15 24 h: Light Alloy Flanges / Carbon Fibre – Silver	126,00
9	RH05G28S	Hub Body M15 28 h: Light Alloy Flanges / Carbon Fibre – Silver	126,00
9	RH05G24G	Hub Body M15 24 h: Light Alloy Flanges / Carbon Fibre – Gold	126,00
9	RH05G28G	Hub Body M15 28 h: Light Alloy Flanges / Carbon Fibre – Gold	126,00
9	RH05G24R	Hub Body M15 24 h: Light Alloy Flanges / Carbon Fibre – Red	126,00
9	RH05G28R	Hub Body M15 28 h: Light Alloy Flanges / Carbon Fibre – Red	126,00

Note: modified from Spare Part Manual dated 2009

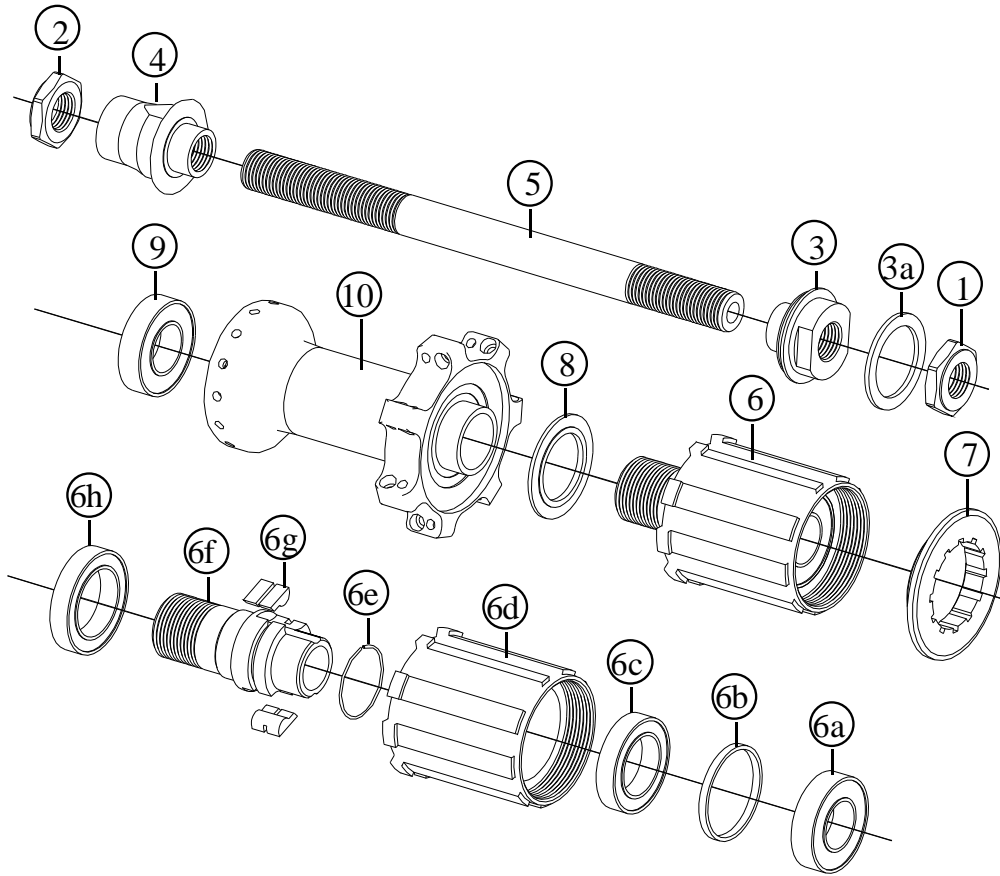
Specifications are subject to change without notice

# FRM

Rear Hub for Road Only

## SP-R Team

2010



### SUPPLIED AS WHEELSETS: SP-R21

Item no.	Code	DESCRIPTION	Price €
1	RH01A	Right Hand Lock Nut: M10 x 17mm / 4,5mm thick / Steel	2,00
2	RH01B	Left hand Lock Nut: M10x17mm / 4,5mm / Light Alloy	2,10
3	RH02CR	Right Hand Inner Nut: M10 x 16mm / Light Alloy	3,15
4	RH02DL	Left Hand Inner Nut: M10 x 16mm /Light Alloy	3,70
5	RH03AA	Hub Axle 140,6 mm / Dia. 10mm / Light alloy	19,50
6	RH4SD151TS	Freehub Body Ass.: Shimano Compat. Titanium Bolt M15 x 1 (1 start)	116,00
6	RH4SD151TC	Freehub Body Ass.: Campy Compat. Titanium Bolt M15 x 1 (1 start)	116,00
7	RHLRSH11	Lock-ring in light alloy for cog-set – Shimano 11T	8,00
7	RHLRSH12	Lock-ring in light alloy for cog-set – Shimano 12T	8,00
7	RHLRCA12	Lock-ring in light alloy for cog-set – Campy 12T	8,00
6a	HB24126	Freewheel Body Outer Bearing 24 x 12 x 6mm 6901 2RS	7,50
6b	RH04SL1	Freewheel Body Bearing Spacer / Light Alloy	0,60
6c	HB24155	Freewheel Body Middle Bearing 24 x 15 x 5mm 6802 2RS	8,50
6d	RH04SLS	Freehub Shell Shimano Compat. Light Alloy	33,00
6d	RH04SLC	Freehub Shell Campy Compat. Light Alloy	33,00
6e	RHLS07	Lips spring 0,7mm	0,50
6f	RHFWB151T	Freewheel Body Fixing Bolt M15 x 1 start / Titanium	40,00
6g	RH04LP	Freewheel Pawls /High Tensile Steel (Silicium 52) (2pcs)	10,0 pc
6h	HB26175	Freewheel Body Inner Bearing 26 x 17 x 5mm 6803 2RS	9,30
8	RH04SL3B	Freewheel Body Washer / Hardened Steel. 2,7mm thick	10,00
9	HB24126	Bearing 24 x 12 x 6mm 6901 2RS	7,50
10	RH05H28G	Hub Body M15 28 h: Gold anodised Flanges / Carbon Fibre	126,00
10	RH05H28S	Hub Body M15 28 h: Silver anodised Flanges / Carbon Fibre	126,00
10	RH05H28R	Hub Body M15 28 h: Red anodised Flanges / Carbon Fibre	126,00

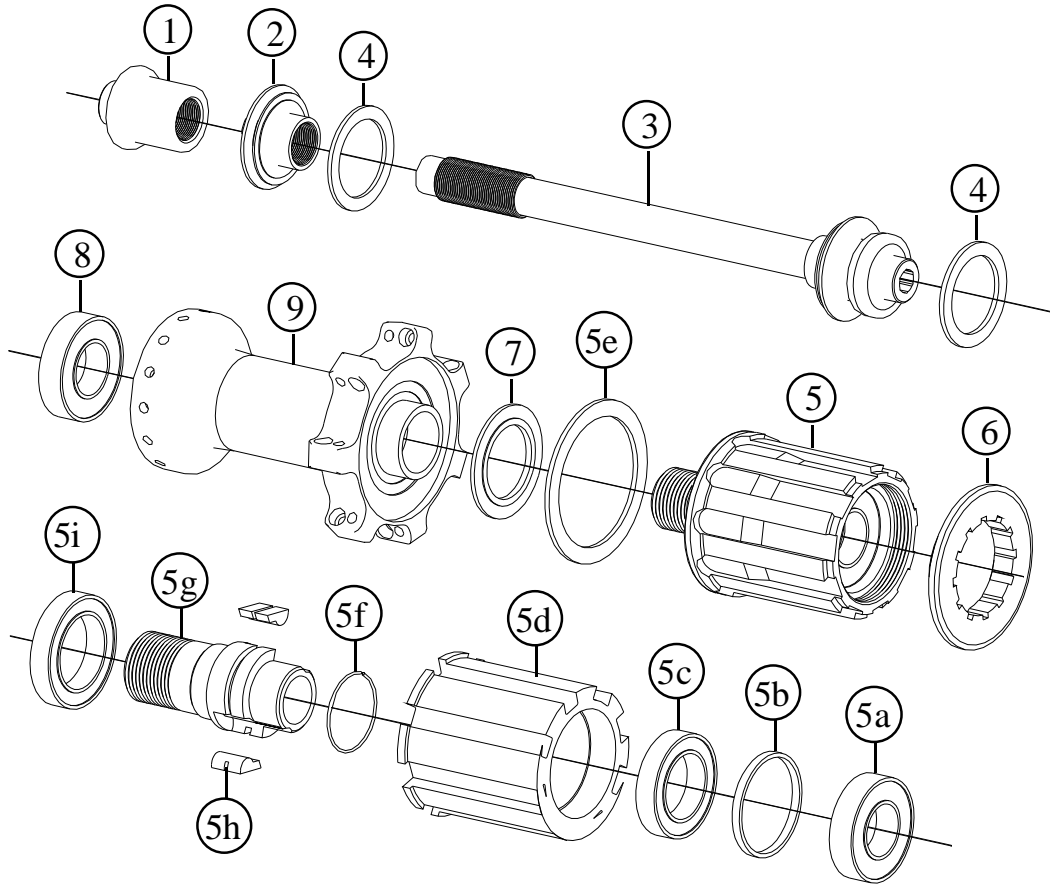
Note: modified from Spare Part Manual dated 2009

Specifications are subject to change without notice

# FRM

## Rear Hub for Road Only SP-R Team CA

2010



### ALSO SUPPLIED ON WHEELSET SP-R21 Aero

Item no.	Code	DESCRIPTION	Price €
1	RH003CA	Lock Nut for carbon fibre axle / Light alloy	3,70
2	RHA01C2	Inner Nut for carbon fibre axle with rubber seal seat / Light alloy	3,70
3	FH04CCA	Carbon Fibre Axle with bonded Ends (Stainless Steel Thread)	30,00
4	3FH02DS	Rubber Seal: 24 x 17 x 1mm	0,30
5	RH4SD152TDSS	Freehub Body Ass.: SH Compat. Titanium Bolt M15 x 1 start. New rubber Seal	116,00
5	RH4SD152TC	Freehub Body Ass.: Campy Compat. Titanium Bolt M15 x 1 starts.	116,00
5e	RHSDRS	Freewheel Rubber seal (only for Shimano compatible outer shells)	0,50
6	RHLRSH11	Lock-ring in light alloy for cog-set – Shimano 11T	8,00
6	RHLRSH12	Lock-ring in light alloy for cog-set – Shimano 12T	8,00
6	RHLRCA12	Lock-ring in light alloy for cog-set – Campy 12T	8,00
8 - 5a	HB24126	Outer Bearing 24 x 12 x 6mm 6901 2RS	7,50
5b	RH04SL1	Freewheel Body Bearing Spacer / Light Alloy	0,60
5c	HB24155	Freewheel Body Middle Bearing 24 x 15 x 5mm 6802 2RS	8,50
5d	RH04SLSDSS	Freehub Shell Shimano Compat. Light Alloy. New rubber seal	33,00
5d	RH04RSC	Freehub Shell Campy Compat. Light Alloy	33,00
5f	RHLS07	Pawls Spring 0,7mm	0,50
5g	RHFWB152T	Freewheel Body Fixing Bolt M15 x 1 start / Titanium	40,00
5h	RH04LP	Freewheel pawl /High Tensile Steel (Silicium 52) (2pcs)	10,0 pc
5i	HB26175	Freewheel Body Inner Bearing 26 x 17 x 5mm 6803 2RS	9,30
7	RH04SL3B	Freewheel Body Washer / Hardened Steel. 1,5mm thick	10,00
9	RH05H28G	Hub Body M15 28 h: Gold anodised Flanges / Carbon Fibre	126,00
9	RH05H28S	Hub Body M15 28 h: Silver anodised Flanges / Carbon Fibre	126,00
9	RH05H28R	Hub Body M15 28 h: Red anodised Flanges / Carbon Fibre	126,00

Note: modified from Spare Part Manual dated 2009

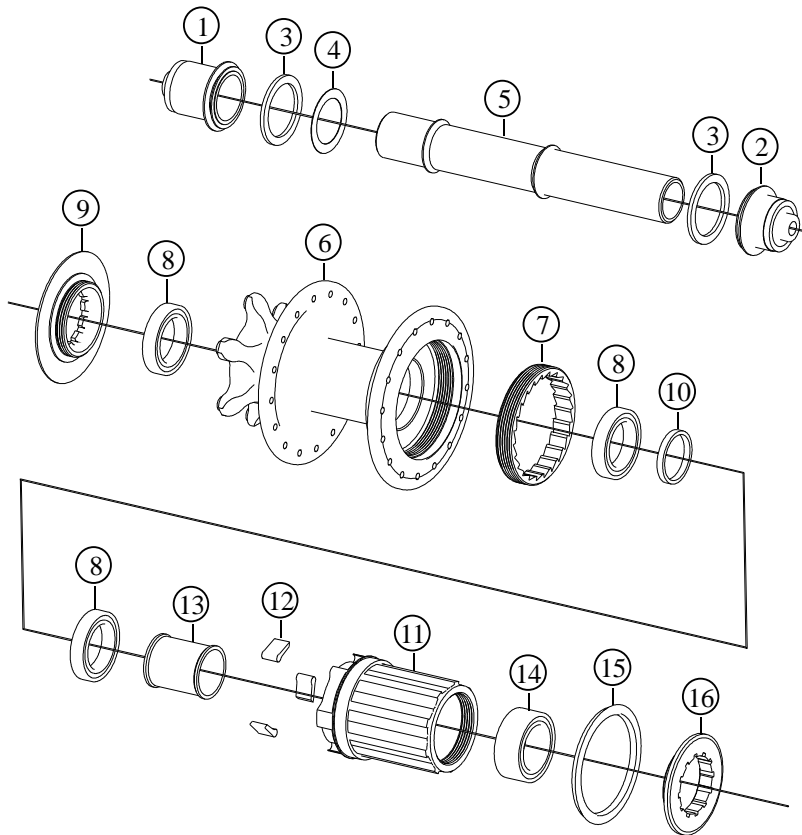
Specifications are subject to change without notice

# FRM

Rear Hub for MTB

## URANO Team & URANO Pro - New

2010



SUPPLIED ON WHEELSETS: Urano XC Team, Urano XC Team Tubular, Urano XC Pro, Urano XC Comp

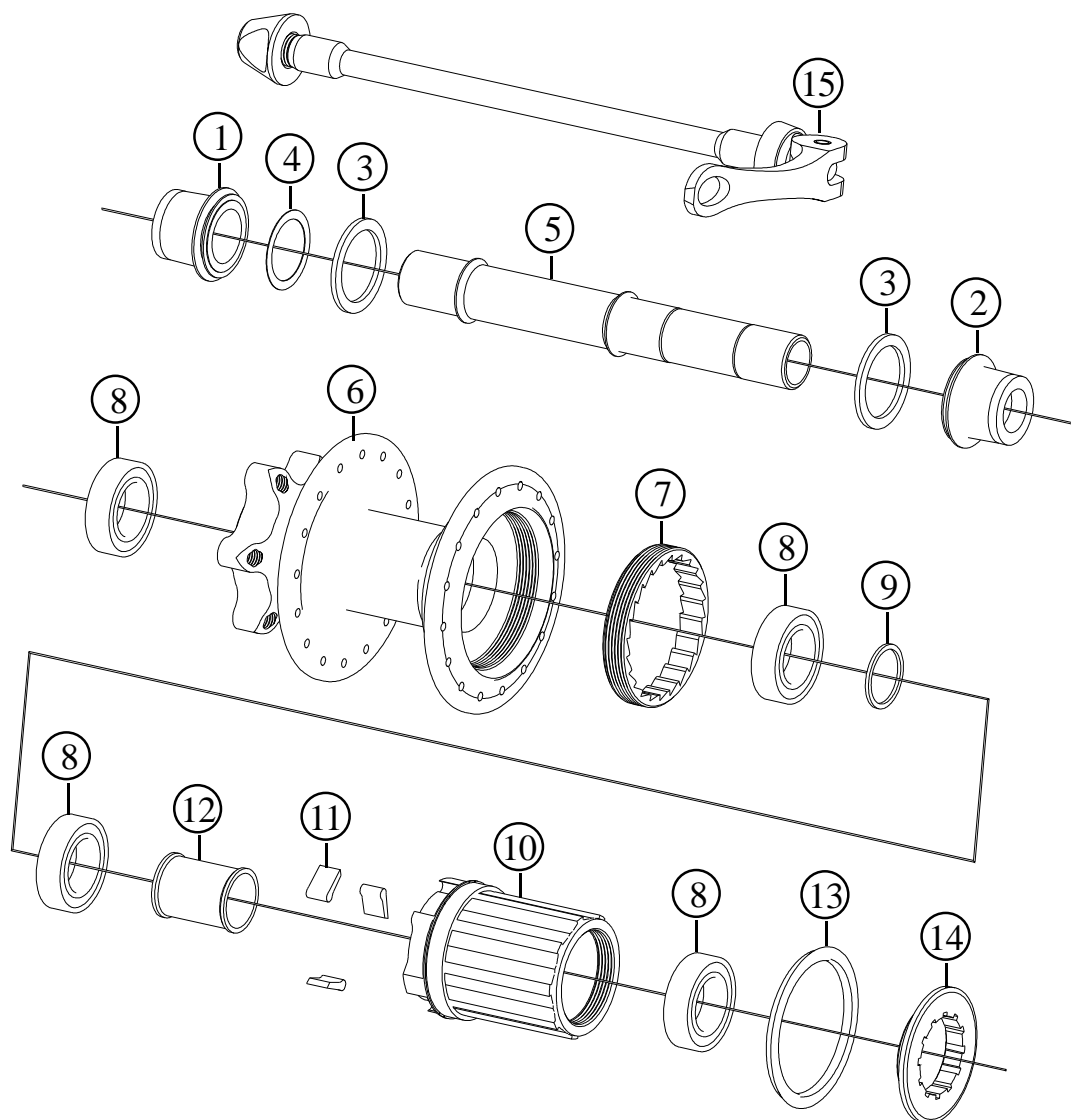
Item no.	Code	DESCRIPTION	Price €
1	RHURACEL	Axle Cap End. Left Side. Inner dia. 17mm/ Light Alloy	4,00
2	RHURACER	Axle Cap End. Right Side. Inner dia. 17mm/ Light Alloy	4,00
3	RS262014	Rubber Seal: 26 x 20 x 1,4mm (2pcs)	0,30 pc
4	SW1724015	Steel washer: 17 x 24 x 0,15mm	0,10
5	RHURAX	Axle dia. 17mm. Light Alloy. Hard Anodised	30,00
6	RHURB32BLK	Hub Body /Alloy. Black anodised. 32H	60,00
6	FHURB32RD	Hub Body /Alloy. Red anodised. 32H	60,00
6	FHURB32GD	Hub Body /Alloy. Gold anodised. 32H	60,00
6	FHURB32BE	Hub Body /Alloy. Blue anodised. 32H	60,00
6	FHURB28BLK	Hub Body /Alloy. Black anodised. 28H	60,00
6	FHURB28RD	Hub Body /Alloy. Red anodised. 28H	60,00
6	FHURB28GD	Hub Body /Alloy. Gold anodised. 28H	60,00
6	FHURB28BE	Hub Body /Alloy. Blue anodised. 28H	60,00
7	RHURITTR	Teethed Ring in Titanium (Urano Team)	44,00
7	RHURSTR	Teethed ring in Steel (Urano Pro)	16,00
8	EB61803	Enduro Bearing 17 x 26 x 5mm ABEC5 2RS (3pcs)	9,30 pc
9	URDLRBLK	Disc Lock-Ring. / Light Alloy. Black	10,00
9	URDLRRD	Disc Lock-Ring. / Light Alloy. Red	10,00
9	URDLRGD	Disc Lock-Ring. / Light Alloy. Gold	10,00
9	URDLRBE	Disc Lock-Ring. / Light Alloy. Blue	10,00
10	RHURBS	Bearing Spacer 20x17x2,8mm Light Alloy	0,30
11	RHURFWB	Freewheel Body. Light Alloy. Blue Anodised	30,00
12	RHURFWP	Freewheel Pawl in High Steel + Coil Spring (3 sets)	8,00 set
13	RHURFWS	Freewheel Spacer 20 x 17 x 23mm. Light Alloy	2,00
14	EB3803	Enduro bearing 17 x 26 x 10mm. Double Row. 2RS	16,50
15	SE3744525VG	Rubber Lip Seal SE 37 x 44,5 x 2,5 VG	2,70
16	RHLRSH11	Lock-ring in light alloy for cog-set – 11T	8,00

Specifications are subject to change without notice

# FRM

Rear Hub for MTB  
**TITANO - New**

2010



**SUPPLIED ONLY ON WHEELSETS: TITANO TRAIL, TITANO ALL MOUNTAIN**

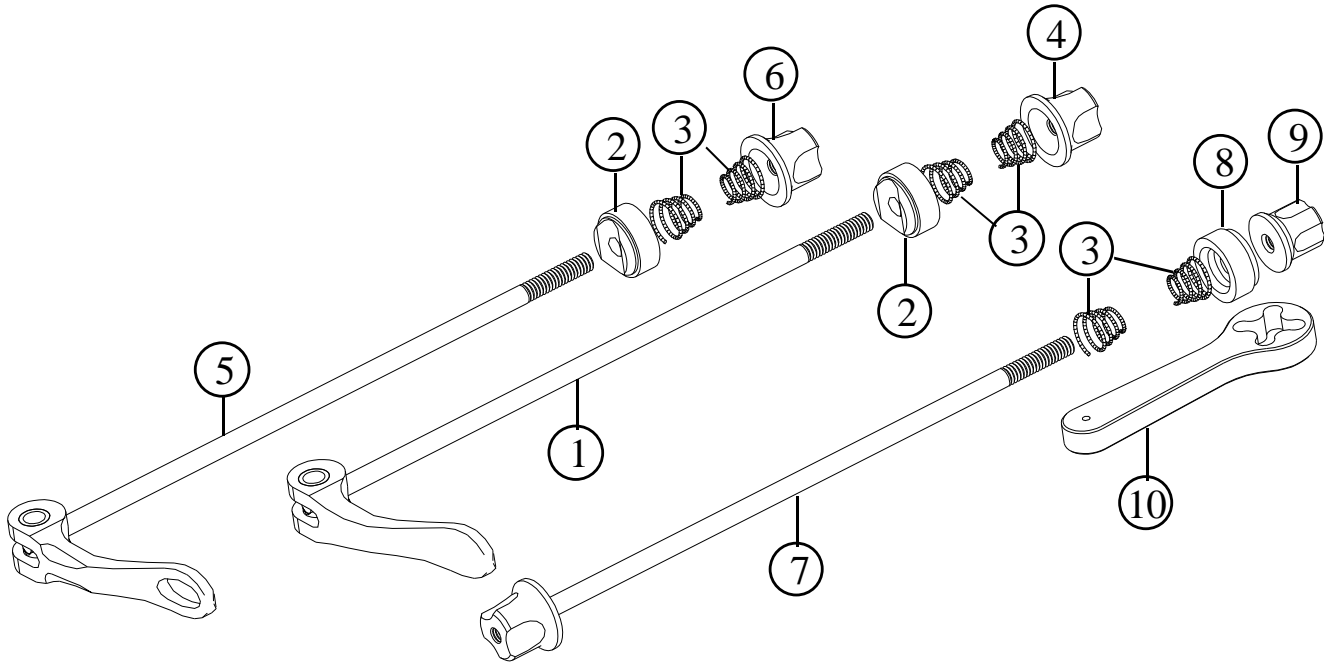
Item no.	Code	DESCRIPTION	Price €
1	RHTIACEL10	Axle Cap End. Left Side. Inner dia. 15mm. QR10. Light Alloy	4,00
1	RHTIACEL12	Axle Cap End. Left Side. Inner dia. 15mm. QR12. Light Alloy	4,00
2	RHTIACER10	Axle Cap End. Right Side. Inner dia. 15mm. QR10. Light Alloy	4,00
2	RHTIACER12	Axle Cap End. Right Side. Inner dia. 15mm. QR12. Light Alloy	4,00
3	RS262014	Rubber Seal: 26 x 20 x 1,4mm (2pcs)	0,30 pc
4	SW1521015	Steel washer: 15 x 21x 0,15mm	0,10
5	RHTIAX	Axle dia. 15mm. Light Alloy. Hard Anodised	30,00
6	FHTIB32RD	Hub Body /Alloy. Red anodised. 32H	60,00
7	RHURSTR	Teethed ring in Steel	16,00
8	EBBMR1526	Enduro Bearing 15 x 26 x 7mm ABEC5 2RS (4pcs)	7,80 pc
9	RHTIBS	Bearing Spacer 20 x 15 x 1,3mm Light Alloy	0,30
10	RHURFWB	Freewheel Body. Light Alloy. Blue Anodised	30,00
11	RHURFWP	Freewheel Pawl in High Steel + Coil Spring (3 sets)	8,00 set
12	RHTIFWS	Freewheel Spacer 18 x 15 x 23mm. Light Alloy	2,00
13	SE3744525VG	Rubber Lip Seal SE 37 x 44,5 x 2,5 VG	2,70
14	RHLRSH11	Lock-ring in light alloy for cog-set - 11T	8,00
15		Task Team rear skewer. QR10	22,50

Specifications are subject to change without notice

# FRM

Quick Release

## SK-Pro - SK-R Team - SK-M Team - SK-R Team SL - SK-M Team SL 2010



Item no.	Code	DESCRIPTION	Price €
1	QRPLF	Front Pro Lever Black & Axle Assembly (Steel 4,5mm)	15,50
1	QRPLR	Rear Pro Lever Black & Axle Assembly (Steel 4,5mm)	15,50
2	QR00A	Washer with concave Delrin pad	2,60
3	QR00B	Spring (2pcs)	0,80 pc
4	QR00CP	Nut for Pro axle with M4,5 Thread	2,60
5	QRTLF	Front Team Lever Black & Axle Assembly (Titanium 4mm)	30,50
5	QRTLFG	Front Team Lever Gold & Axle Assembly (Titanium 4mm)	30,50
5	QRTLFR	Front Team Lever Red & Axle Assembly (Titanium 4mm)	30,50
5	QRTLFB	Front Team Lever Blue & Axle Assembly (Titanium 4mm)	30,50
5	QRTLRL	Rear Team Lever Black & Axle Assembly for Road (Titanium 4mm)	30,50
5	QRTLRLG	Rear Team Lever Gold & Axle Assembly for Road (Titanium 4mm)	30,50
5	QRTLRLR	Rear Team Lever Red & Axle Assembly for Road (Titanium 4mm)	30,50
5	QRTLRLB	Rear Team Lever Blue & Axle Assembly for Road (Titanium 4mm)	30,50
5	QRTLRLM	Rear Team Lever Black & Axle Assembly for MTB (Titanium 4mm)	30,50
5	QRTLRLGM	Rear Team Lever Gold & Axle Assembly for MTB (Titanium 4mm)	30,50
5	QRTLRLRM	Rear Team Lever Red & Axle Assembly for MTB (Titanium 4mm)	30,50
5	QRTLRLBM	Rear Team Lever Blue & Axle Assembly for MTB (Titanium 4mm)	30,50
6	QR00C	Nut for Team axle with M4 thread	2,6
7	QRTLRLSL	Rear Team SL Axle Assembly for Road (Titanium 4mm)	25,20
7	QRTLRLMSL	Rear Team SL Axle Assembly for MTB (Titanium 4mm)	25,20
8	QR00ASL	Washer with flat Delrin pad for Team SL skewers	2,60
9	QR00CSL	Nut for Team SL axle with M4 thread	2,60
10	SLTOOL	Tool for Team SL skewers. Red Anodised	10,50

Note: modified from Spare Part Manual dated 2009

Specifications are subject to change without notice

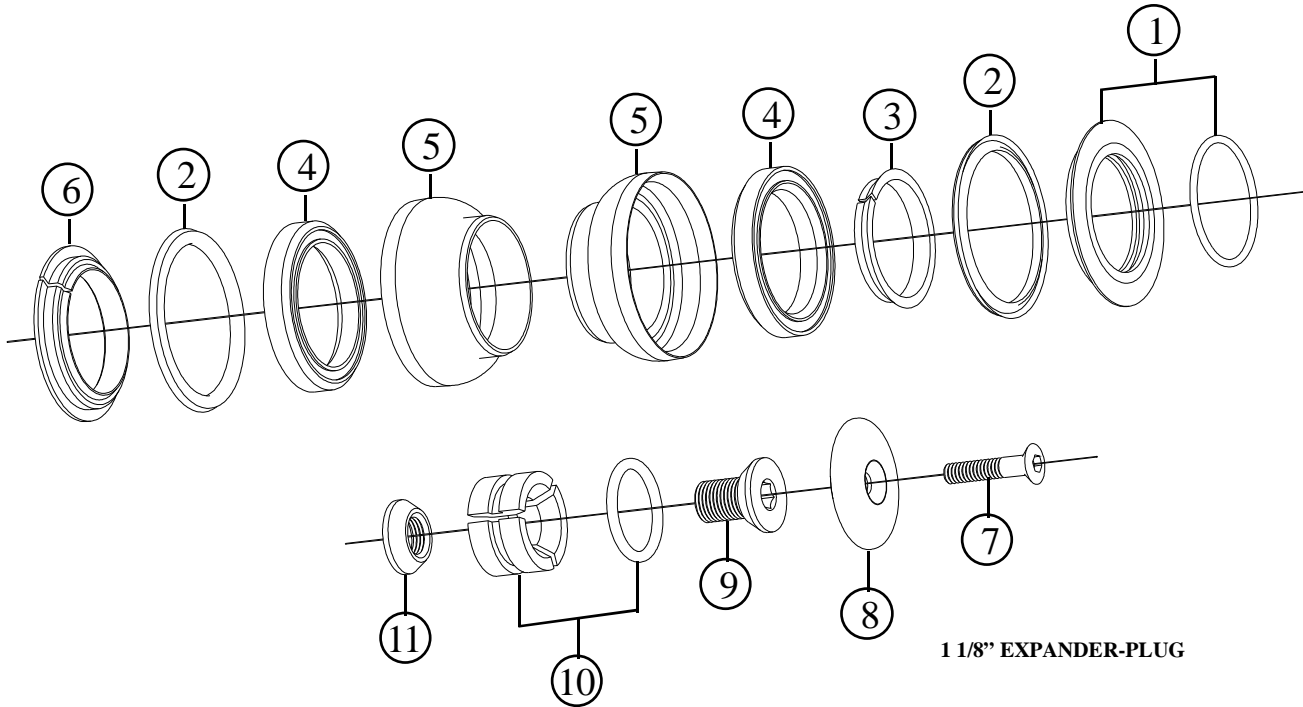
# FRM

Head Set

## D-SET Team - New

1 1/8" Standard Threadless

2010

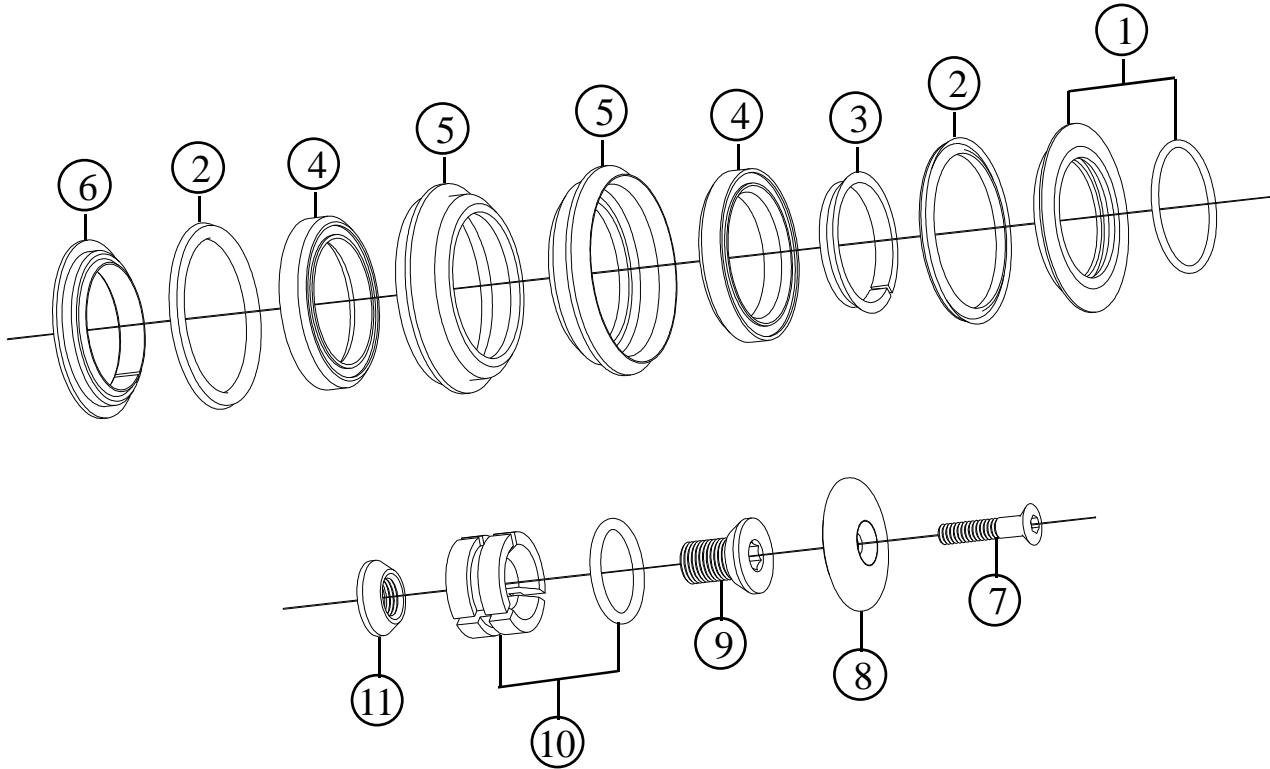


Item no.	Code	DESCRIPTION	Price €
1	HSDSUCABLK	Upper Head Cone Assembly with O-Ring 2112 (ID 28,30 x 1,78mm) Black anod.	7,00
1	HSDSUCARD	Upper Head Cone Assembly with O-Ring 2112 (ID 28,30 x 1,78mm) Red anod.	7,00
1	HSDSUCAGD	Upper Head Cone Assembly with O-Ring 2112 (ID 28,30 x 1,78mm) Gold anod.	7,00
1	HSDSUCABE	Upper Head Cone Assembly with O-Ring 2112 (ID 28,30 x 1,78mm) Blue anod.	7,00
2	SE3744525VG	Rubber Lip Seal SE 37x44,4x2,5 VG (2pcs)	2,70 pc
3	HSC202	Upper Head Split Cone / Light Alloy	3,00
4	BBACB3645SS	Bearing ABC 36°x 45° 41 x 30,2 x 6,5mm. Stainless Steel. Original equipment (2pcs)	17,30 pc
4	BBACB3645	Bearing ABC 36°x 45° 41 x 30,2 x 6,5mm. Cromo Steel (2pcs)	9,50 pc
5	HSDSTHBCBLK	Lower or Upper Head Cup Housing / Black anodised (2pcs)	7,00 pc
5	HSDSTHBCRD	Lower or Upper Head Cup Housing / Red anodised (2pcs)	7,00 pc
5	HSDSTHBCGD	Lower or Upper Head Cup Housing / Gold anodised (2pcs)	7,00 pc
5	HSDSTHBCBE	Lower or Upper Head Cup Housing / Blue anodised (2pcs)	7,00 pc
6	HSDSLHC	Lower Head Cone for 1 1/8" Forks	4,00
7	TSCCE525T	Bolt for play adjustment M5 x 25mm. Cone-Head / Titanium. Gold plated	5,50
8	EP201TBLK	Cap / Light Alloy / Black anodised	5,50
8	EP201TRD	Cap / Light Alloy / Red anodised	5,50
8	EP201TGD	Cap / Light Alloy / Gold anodised	5,50
8	EP201TBE	Cap / Light Alloy / Blue anodised	5,50
9	EP102	Male Cone Bolt / Light Alloy	2,10
10	EP203	Three-Piece Expander with O-Ring 122	3,70
11	EP104	Female Cone Nut / Light Alloy	1,10

Specifications are subject to change without notice

**FRM**  
Head Set  
**D-SET ZS Team - New**  
1 1/8" Zero Stack

2010



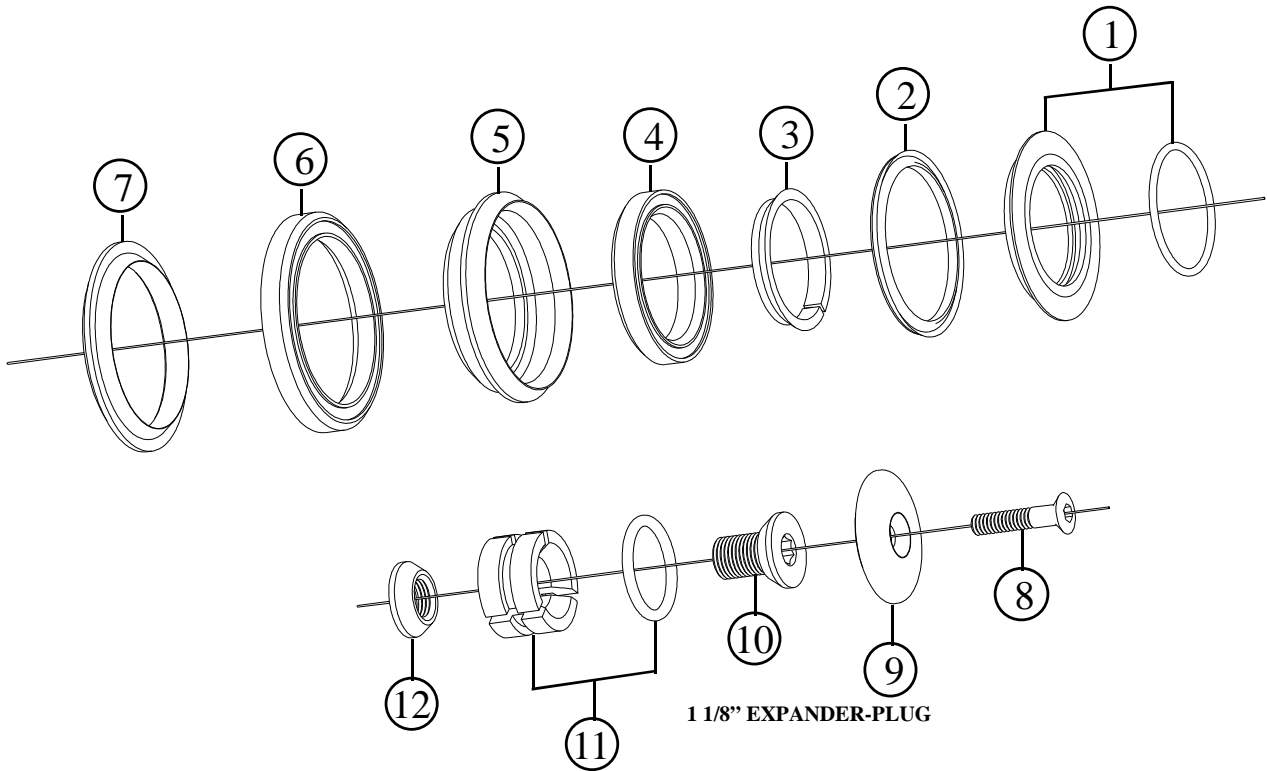
1 1/8" EXPANDER-PLUG

Item no.	Code	DESCRIPTION	Price €
1	HSDSUCABLK	Upper Head Cone Assembly with O-Ring 2112 (ID 28,3 x 1,78mm) Black anod.	7,00
2	SE3744525VG	Rubber Lip Seal SE 37 x 44,4 x 2,5 VG (2pcs)	2,70 pc
3	HSC202	Upper Head Split Cone / Light Alloy	3,00
4	BBACB3645SS	Bearing ABC 36°x 45° 41 x 30,2 x 6,5mm. Stainless Steel. Original equipment (2pcs)	17,30 pc
4	BBACB3645	Bearing ABC 36°x 45° 41 x 30,2 x 6,5mm. Cromo Steel (2pcs)	9,50 pc
5	HSDSOZBCBLK	Lower or Upper Head Cup Housing / Black anodised (2pcs)	7,00 pc
6	HSDSLHC	Lower Head Cone for 1 1/8" Forks	4,00
7	TSCCE525T	Bolt for play adjustment M5 x 25 Cone-Head / Titanium. Gold plated	5,50
8	EP201TBLK	Cap / Light Alloy / Black anodised	5,50
8	EP201TRD	Cap / Light Alloy / Red anodised	5,50
8	EP201TGD	Cap / Light Alloy / Gold anodised	5,50
8	EP201TBE	Cap / Light Alloy / Blue anodised	5,50
9	EP102	Male Cone Bolt / Light Alloy	2,10
10	EP203	Three-Piece Expander with O-Ring 122	3,70
11	EP104	Female Cone Nut / Light Alloy	1,10

Specifications are subject to change without notice

**FRM**  
Head Set  
**E-SET - New**  
1,5" 1 1/8"

2010

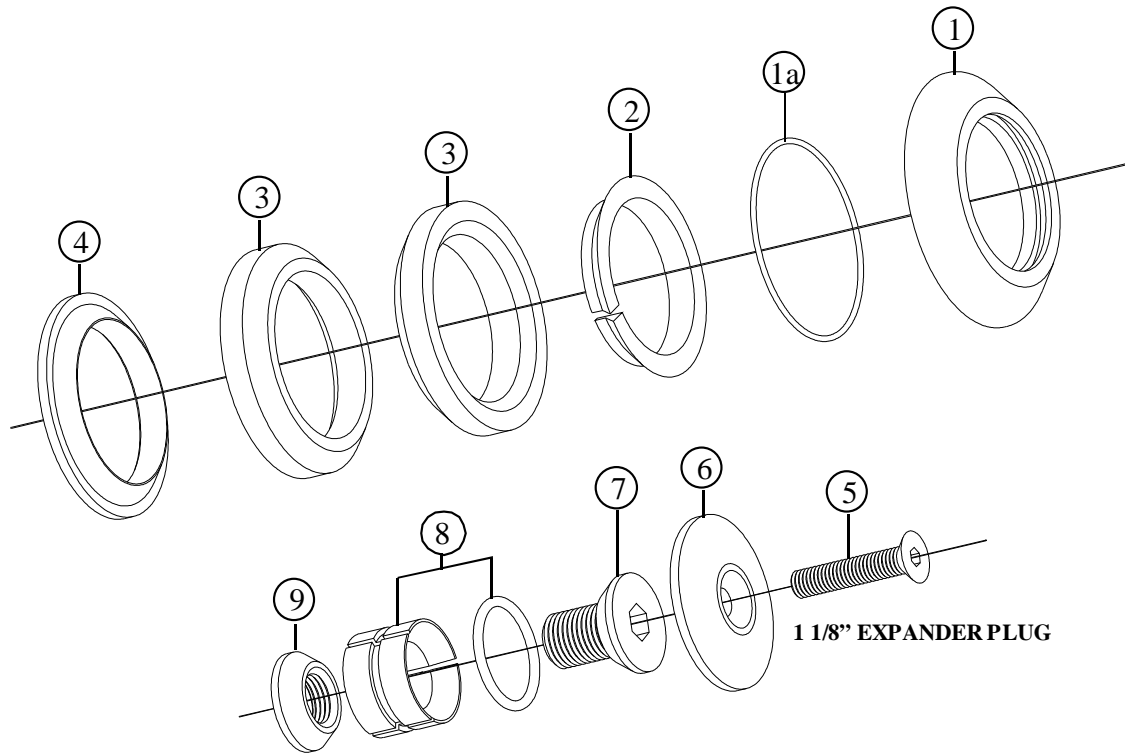


Item no.	Code	DESCRIPTION	Price €
1	HSDSUCABLK	Upper Head Cone Assembly with O-Ring 2112 (ID 28,30 x 1,78mm) Black anod.	7,00
2	SE3744525VG	Rubber Lip Seal SE 37 x 44,4 x 2,5 VG	2,70
3	HSC202	Upper Head Split Cone / Light Alloy	3,00
4	BBACB3645SS	Bearing ABC 36°x 45° 41 x 30,2 x 6,5mm. Stainless Steel. Original equipment	17,30
4	BBACB3645	Bearing ABC 36°x 45° 41 x 30,2 x 6,5mm. Cromo Steel	9,50
5	HSDSOZBCBLK	Upper Head Cup Housing / Black anodised	7,00
6	BBACB156808CC	Bearing ABC 36°x 45° 52 x 40 x 6,5mm. Cromo Steel	13,10
7	HSE2SLHC15	Lower Head Cone for 1,5" Forks	4,50
8	TSCCE525T	Bolt for play adjustment M5 x 25 Cone-Head / Titanium. Gold plated	5,50
9	EP201TBLK	Cap / Light Alloy / Black anodised	5,50
9	EP201TRD	Cap / Light Alloy / Red anodised	5,50
9	EP201TGD	Cap / Light Alloy / Gold anodised	5,50
9	EP201TBE	Cap / Light Alloy / Blue anodised	5,50
10	EP102	Male Cone Bolt / Light Alloy	2,10
11	EP203	Three-Piece Expander with O-Ring 122	3,70
12	EP104	Female Cone Nut / Light Alloy	1,10

Specifications are subject to change without notice

**FRM**  
 Integrated Head Set  
**I-SET Team**  
 1 1/8" Integrated

**2010**



Item no.	Code	DESCRIPTION	Price €
1	HSI201	Upper Head Cone Housing / Light Alloy	7,40
1a	HSI21OR	O-Ring	0,20
2	HSI202	Upper Head Split Cone / Light Alloy	3,00
3	TH-870SS	Bearing Micro ABC 45° x 45° 41,8 x 8mm. Stainless Steel (2pcs)	23,30 pc
4	HSI205	Lower Head Cone for 1 1/8" Forks	4,00
5	TSCCE525T	Bolt for play adjustment M5 x 25 Cone-Head / Titanium. Gold plated	5,50
6	EP201TBLK	Cap / Light Alloy / Black anodised	5,50
6	EP201TRD	Cap / Light Alloy / Red anodised	5,50
6	EP201TGD	Cap / Light Alloy / Gold anodised	5,50
6	EP201TBE	Cap / Light Alloy / Blue anodised	5,50
7	EP102	Male Cone Bolt / Light Alloy	2,10
8	EP203	Three-Piece Expander with O-Ring 122	3,70
9	EP104	Female Cone Nut / Light Alloy	1,10

Note: modified from Spare Part Manual dated 2009

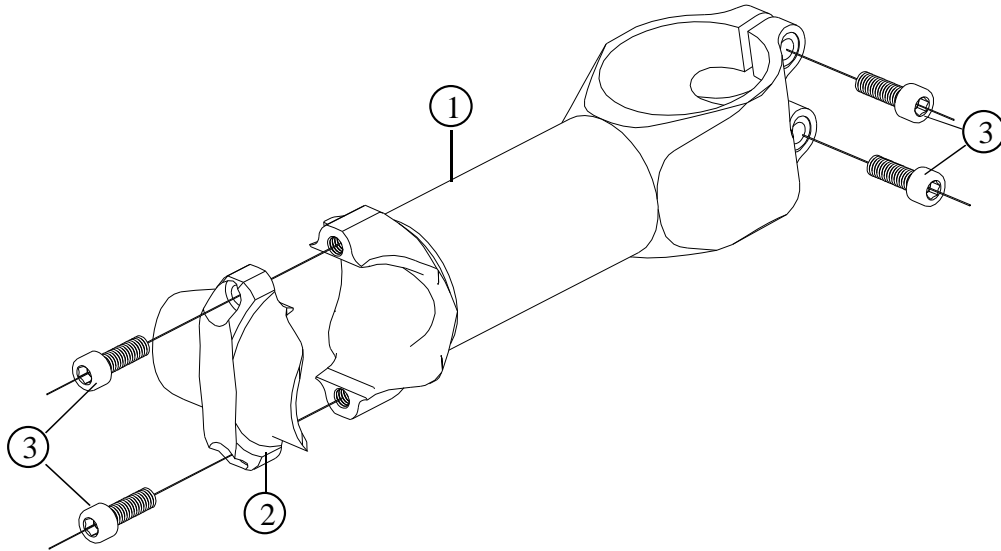
Specifications are subject to change without notice

# FRM

Stem for Road & MTB

## Web-Stem CF - Web-Stem FC Ti. – Web Stem 32 – Web Stem 32 Ti. Lefty Web-Stem CF – Lefty Web-Stem FC Ti.

2010



Item no.	Code	DESCRIPTION	Price €
1	WS05AL	Carbon fibre Stem Shaft 90mm (Black) 31,8mm	86,00
1	WS05BL	Carbon fibre Stem Shaft 100mm (Black) 31,8mm	86,00
1	WS05CL	Carbon fibre Stem Shaft 110mm (Black) 31,8mm	86,00
1	WS05DL	Carbon fibre Stem Shaft 120mm (Black) 31,8mm	86,00
1	WS05EL	Carbon fibre Stem Shaft 130mm (Black) 31,8mm	86,00
1	WS05BL	Light alloy Stem Shaft 100mm (Black) 31,8mm	66,00
1	WS05CL	Light alloy Stem Shaft 110mm (Black) 31,8mm	66,00
1	WS05DL	Light alloy Stem Shaft 120mm (Black) 31,8mm	66,00
1	WS05EL	Light alloy Stem Shaft 130mm (Black) 31,8mm	66,00
1	WS05BLL	Carbon fibre Stem. Lefty Shaft 100mm (Black) 31,8mm	96,00
1	WS05CLL	Carbon fibre Stem. Lefty Shaft 110mm (Black) 31,8mm	96,00
1	WS05DLL	Carbon fibre Stem. Lefty Shaft 120mm (Black) 31,8mm	96,00
1	WS05ELL	Carbon fibre Stem. Lefty Shaft 130mm (Black) 31,8mm	96,00
2	WS06B	Stem Cap / Black	16,00
2	WS06G	Stem Cap / Gold	16,00
2	WS06R	Stem Cap / Red	16,00
2	WS06B	Stem Cap / Blue	16,00
3	TCC515S	Allen Bolt M5x15 / Steel (4pcs)	0,10 pc
3	TCC515T	Allen Bolt M5x15 / Titanium - Gold Plated (4pcs)	4,90 pc

Note: modified from Spare Part Manual dated 2009

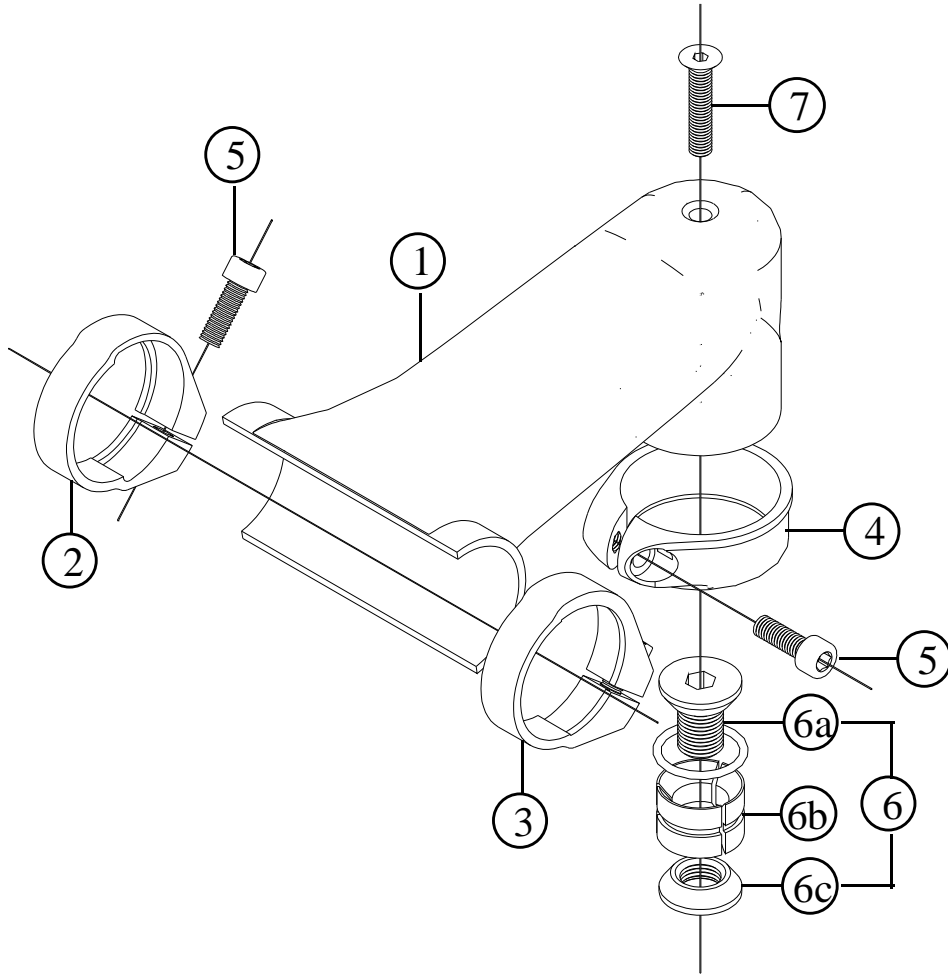
Specifications are subject to change without notice

# FRM

## Stem for Road

### HS-R BLACK HOLE

2010



Item no.	Code	DESCRIPTION	Price €
1	BHSTM90	Carbon fibre Stem - Monocoque 90mm 31,8mm	330,00
1	BHSTM100	Carbon fibre Stem - Monocoque 100mm 31,8mm	330,00
1	BHSTM110	Carbon fibre Stem - Monocoque 110mm 31,8mm	330,00
1	BHSTM120	Carbon fibre Stem - Monocoque 120mm 31,8mm	330,00
1	BHSTM130	Carbon fibre Stem - Monocoque 130mm 31,8mm	330,00
2	BHHBCR	Right Hand Handlebar Clamp. 31,8mm dia Black.	12,00
3	BHHBCL	Left Hand Handlebar Clamp. 31,8mm dia Black.	12,00
4	STAC35B	SC35 Seat Clamp. 34,9mm dia Black. Without bolt	11,50
4	STAC35G	SC35 Seat Clamp. 34,9mm dia Gold. Without bolt	11,50
5	TCC515T	Allen Bolt M5x15 / Titanium - Gold plated (3pcs)	4,90 pc
6	EP100	Expander Assembly / Light Alloy	6,90
6a	EP102	Male Cone Bolt / Light Alloy	2,10
6b	EP203	Three-Piece Expander with O-Ring 122	3,70
6c	EP104	Female Cone Nut / Light Alloy	1,10
7	TSCCE525T	Bolt for play adjustment M5 x 25 Cone-Head / Titanium, gold plated	5,50

Note: modified from Spare Part Manual dated 2009

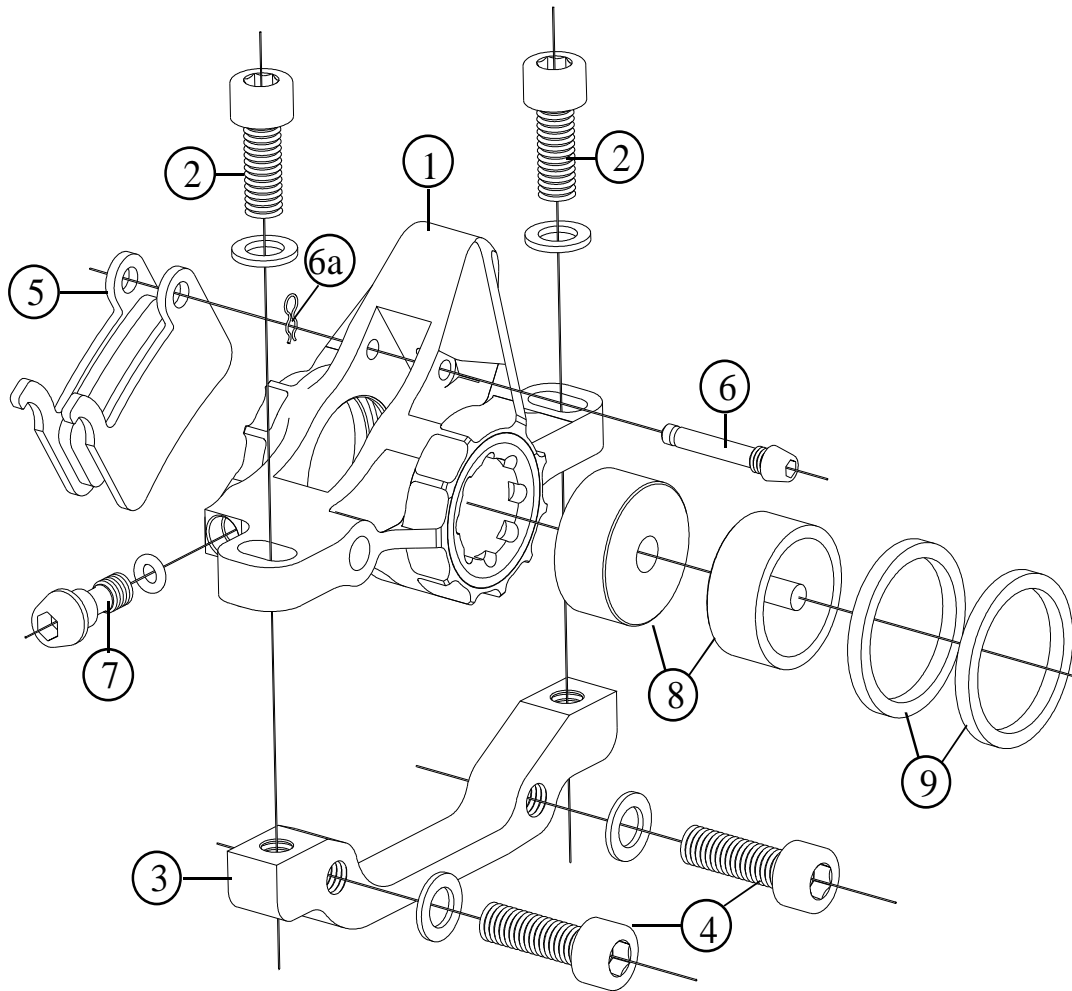
Specifications are subject to change without notice

# FRM

Disc Brakes - Caliper

## DBR 250 – DBR 300 – DBR 300DH

2010



Item no.	Code	DESCRIPTION	Price €
1	DBR300CABR	Caliper Body & Cap. Post-Mount Type. Red Anodised (DBR300 & 250)	65,00
1	DBR300CABG	Caliper Body & Cap. Post-Mount Type. Gold Anodised (DBR300 & 250)	65,00
1	DBR300CAB	Caliper Body & Cap. Post-Mount Type. Black Anodised (DBR300 & 250)	65,00
1	DBR300CABB	Caliper Body & Cap. Post-Mount Type. Blue Anodised (DBR300 & 250)	65,00
2	TCC215SS	Body Fixing Bolts M6x15 & Washer. Stainless Steel (DBR300) 2pcs	0,30 pc
2	TCC615TI	Body Fixing Bolts M6x15 & Washer. Titanium, Gold Plated (DBR250) 2pcs	6,20 pc
3	AU01	Adapter from I.S to P-M: 160mm front or 140mm rear rotor. With two steel bolts	9,00
3	AU02	Adapter from I.S to P-M: 180mm front or 160mm rear rotor. With two steel bolts	9,00
3	AU04	Adapter rear 180mm. With two steel bolts	9,00
3	AU31	Adapter for Post-Mount fork: 180mm front rotor. With steel bolts and washers	15,10
4	TCC620TI	OPTIONAL: Adapter Fixing Bolts M6x15 & Washer. Titanium, Gold Plated (2pcs)	6,20 pc
5	AD014MS	Pads. XTR compat. w/spring. Metallic compound. Steel Backing (Copper color) – DBR300DH	18,30
5	AD014SS	Pads. XTR compat. w/spring. SemiMetallic Compound. Steel Backing (Black color) – DBR300	10,60
5	AD014SA	Pads. XTR compat. w/spring. Organic Compound. Alloy Backing (Silver color) – DBR250	16,30
6-6a	DBR300CB	Pads Fixing Pin. Light Alloy with Pin Spring. Black Anodised (DBR300 & 250)	1,10
7	DBR300CD	Bleed Bolt. Light Alloy & O-Ring (DBR300 & 250)	2,50
8	DBR300P	Pistons. Hard Anodised (DBR300 & 250)	2pcs 15,50
9	DBR300S	EPDM Seals. (DBR300 & 250)	2pcs 2,80

Note: modified from Spare Part Manual dated 2009

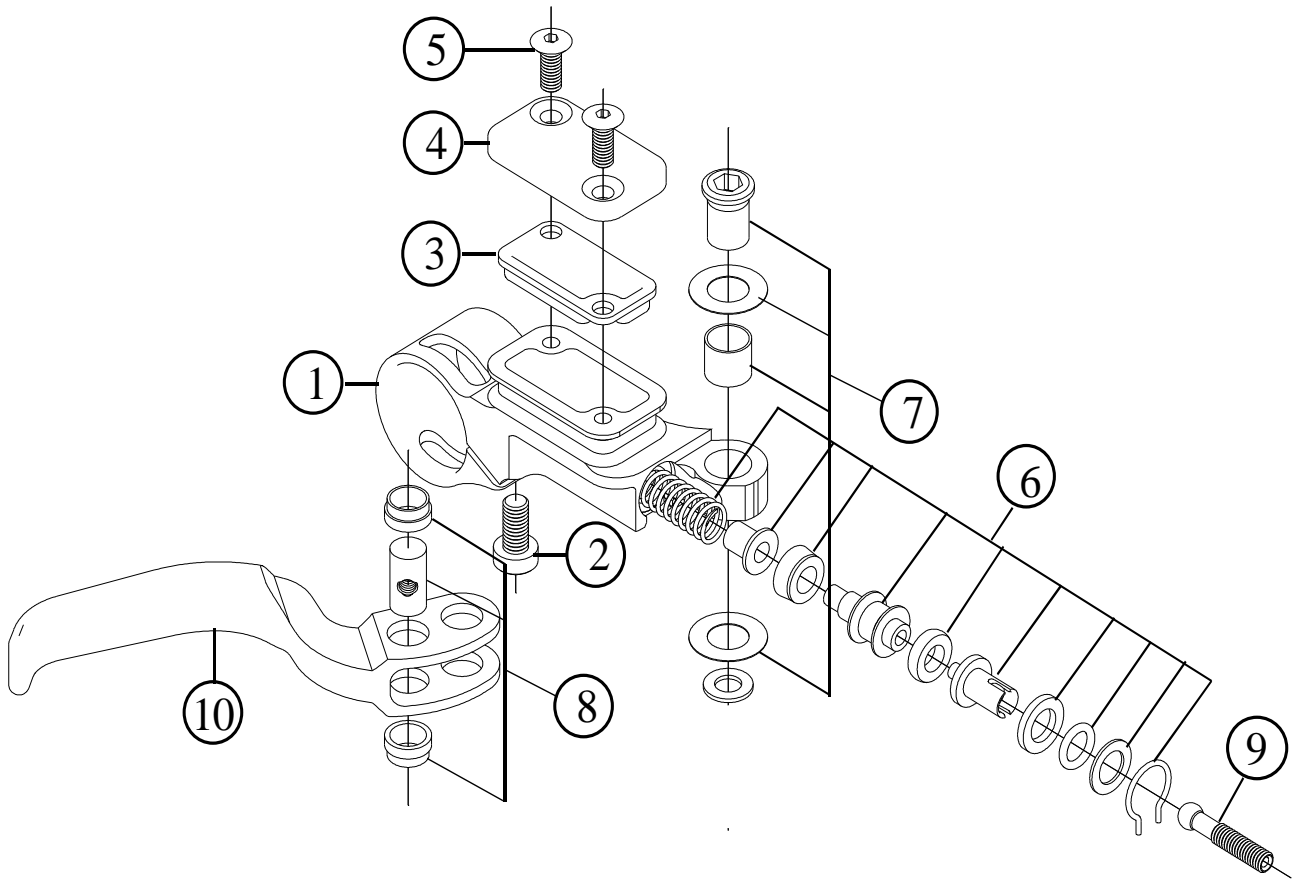
Specifications are subject to change without notice

# FRM

Disc Brakes – Pumps

## DBR 250 – DBR 300 – DBR 300DH

2010



Item no.	Code	DESCRIPTION	Price €
1	DBR300LARR	Brake Pump Body. Right side. Red Anodised (DBR300 & 250)	45,00
1	DBR300LARG	Brake Pump Body. Right side. Gold Anodised (DBR300 & 250)	45,00
1	DBR300LAR	Brake Pump Body. Right side. Black Anodised (DBR300 & 250)	45,00
1	DBR300LARB	Brake Pump Body. Right side. Blue Anodised (DBR300 & 250)	45,00
1	DBR300LALR	Brake Pump Body. Left side. Red Anodised (DBR300 & 250)	45,00
1	DBR300LALG	Brake Pump Body. Left side. Gold Anodised (DBR300 & 250)	45,00
1	DBR300LAL	Brake Pump Body. Left side. Black Anodised (DBR300 & 250)	45,00
1	DBR300LALB	Brake Pump Body. Left side. Blue Anodised (DBR300 & 250)	45,00
3	DBR300RM	Reservoir Membrane. EPDM Rubber (DBR300 & 250)	2,00
4	DBR300LB	Reservoir Cap. Light Alloy (DBR300 & 250)	7,00
5	TSCCE45S	Come Head Bolt. M4 x 8mm. Stainless Steel (DBR300) 2pcs	0,05 pc
5	TSCCE48TI	Come Head Bolt. M4x8mm. Titanium, Gold Plated (DBR250) 2pcs	4,50 pc
6	DBR300PK	Piston Kit. Piston Parts, EPDM Seals, Washers, Springs and Assembly Tool (DBR300 & 250)	18,30
7	DBR300BLBA	Brake Lever Bushing, Axle, Shims and Seeger	7,00
8	DBR300BLPRA	Brake Lever Push Rod Axle & Bushings	7,00
9	DBR300BLPR	Brake Lever Push Rod	3,00
10	DBR300BL	Brake Lever. Right or Left side. Light Alloy. Black Anodised (DBR300&250)	25,00

Note: modified from Spare Part Manual dated 2009

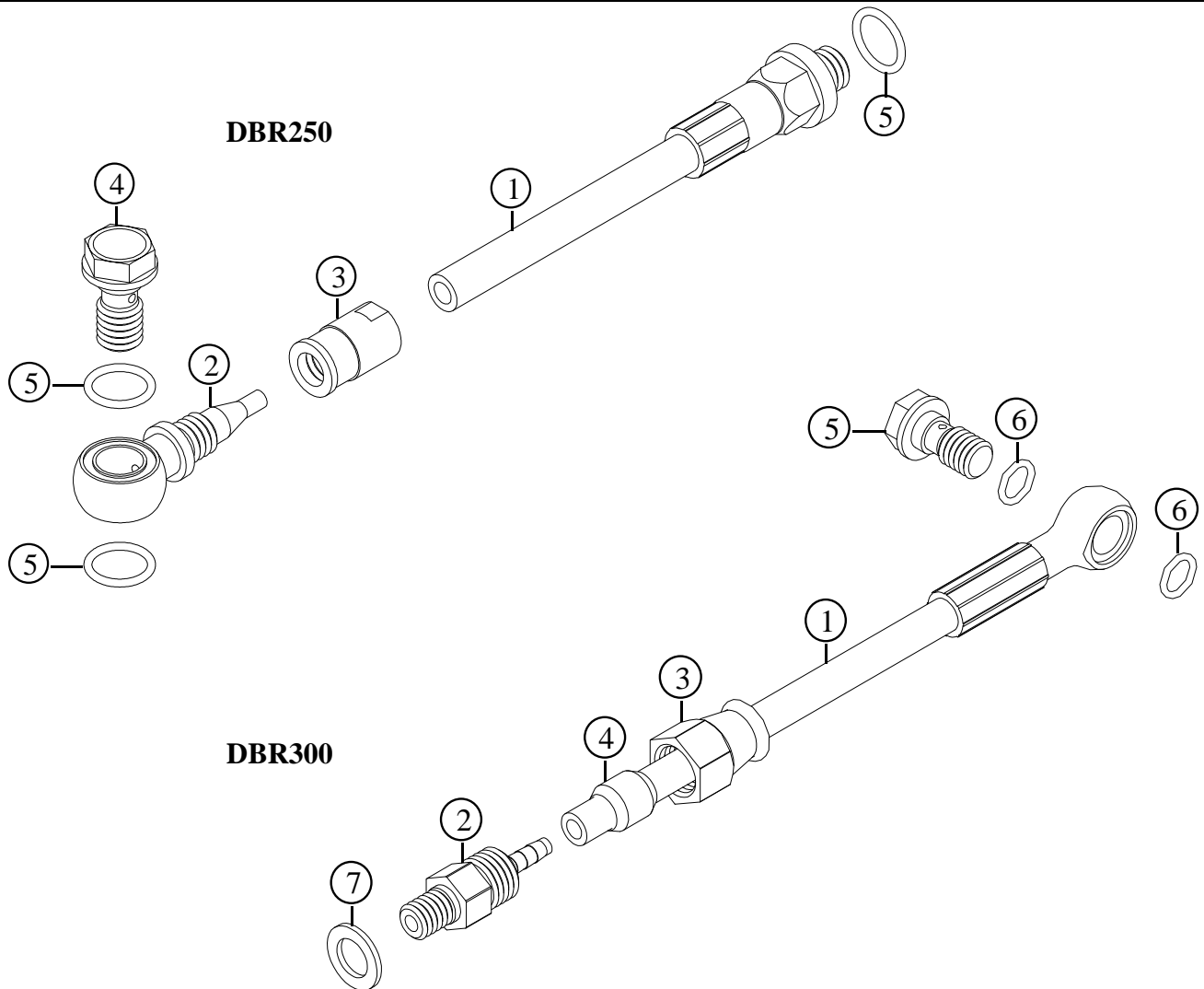
Specifications are subject to change without notice

# FRM

Disc Brakes – Hose & Fittings

## DBR 250 – DBR 300 – DBR 300DH

2010



Item no.	Code	DESCRIPTION	Price €
<b>DBR 250</b>			
1	FTCT850	Frentubo Carbotech Hose and Pressed M-Joint (light alloy). Front 850mm long	22,00
1	FTCT1450	Frentubo Carbotech Hose and Pressed M-Joint (light alloy). Rear 1450mm long	34,00
2	FT13508/B	Banjo in Light Alloy	4,65
3	FT13608/A	Locking Nut for Banjo in Light Alloy	4,65
4	FTB50106	Locking Bolt of Banjo in Titanium – Gold Plated	8,30
5	OREPDM7x1	O-Ring 7 x 1mm in EPDM rubber (3pcs)	0,34 pc
<b>DBR 300 &amp; DBR300DH</b>			
1	HHBB-850	PVDF Kevler Braided hose (5,5mm) with Pressed Banjo (steel). Front 850mm long	16,30
1	HH-BB-1450	PVDF Kevler Braided hose (5,5mm) with Pressed Banjo (steel). Rear 1450mm long	16,30
1	HHBB-900	PVDF Stainless Steel Braided hose with Pressed Banjo (steel). Front 900mm long. 300DH	23,40
1	HH-BB-1500	PVDF Stainless Steel Braided hose with Pressed Banjo (steel). Rear 1500mm long. 300DH	23,40
2	HP-02-10	M-Joint in Steel	4,50
3	HP-04-10	Locking Nut of M-Joint in Stainless Steel	2,5
4	HP-06-10	Compress Barrel for 5,5mm hose (10pcs)	9,50
5	HP-03-10	Locking Bolt of Banjo in Stainless Steel	2,00
6	OR-EPDM6x1	O-Ring 6 x 1mm in EPDM rubber (2pcs)	0,34 pc
7	CW96	Copper Washer 9,9 x 6 x 1mm	1,00

Note: modified from Spare Part Manual dated 2009

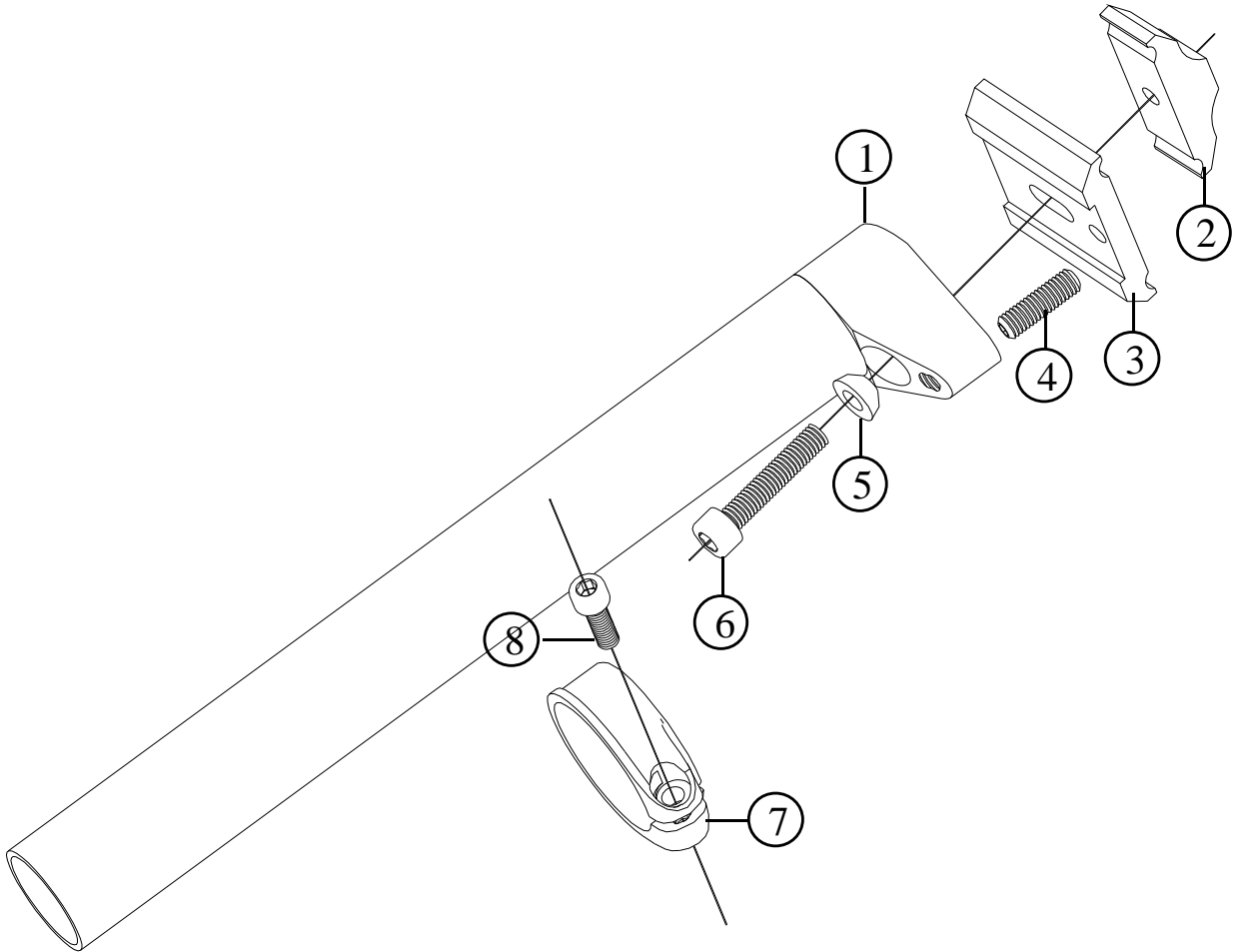
Specifications are subject to change without notice

# FRM

Seatpost and Seat Collar for Road & MTB

**ST-R11 31,6 x 250 & ST-R11 Ti. 31,6 x 250 - New**  
**ST-M11 31,6 x 370 & ST-M11 Ti. 31,6 x 370 - New**

2010



Item no.	Code	DESCRIPTION	Price €
1	STR1131625	Light Alloy Post 31,6 x 250mm	60,00
1	STM1131637	Light Alloy Post 31,6 x 370mm	71,00
1	STM1130937	Light Alloy Post 30,9 x 370mm	71,00
2	STOS03T	Rails Clamp for M7 Titanium Bolt (Black anodised)	10,50
2	STOS03	Rails Clamp for M6 Steel Bolt (Silver anodised)	10,50
3	STOS02	Rails Platform / Light Alloy	13,70
4	STOS04	Dowel M6	0,10
5	STOS05	Semi-sphere for steel bolt	0,30
6	TCC630	Allen Bolt M6 x 35mm in Steel	0,25
6	TCC730T	Allen Bolt M7 x 35mm in Titanium – Gold Plated. Special design	13,30
7	STAC35BLK	SC35 Seat Clamp. 34,9mm dia Black. Without Bolt	11,50
7	STAC35G	SC35 Seat Clamp. 34,9mm dia Gold. Without Bolt	11,50
7	STAC35R	SC35 Seat Clamp. 34,9mm dia Red. Without Bolt	11,50
7	STAC35BE	SC35 Seat Clamp. 34,9mm dia Blue. Without Bolt	11,50
7	STAC32BLK	SC32 Seat Clamp. 31,6mm dia Black. Without Bolt	11,50
7	STAC32G	SC32 Seat Clamp. 31,6mm dia Gold. Without Bolt	11,50
7	STAC32R	SC32 Seat Clamp. 31,6mm dia Red. Without Bolt	11,50
7	STAC32BE	SC32 Seat Clamp. 31,6mm dia Blue. Without Bolt	11,50
8	TCC515S	Allen Bolt M5 x 15 / Steel	0,10
8	TCC515T	Allen Bolt M5 x 15 / Titanium – Gold Plated	4,90

Note: modified from Spare Part Manual dated 2009

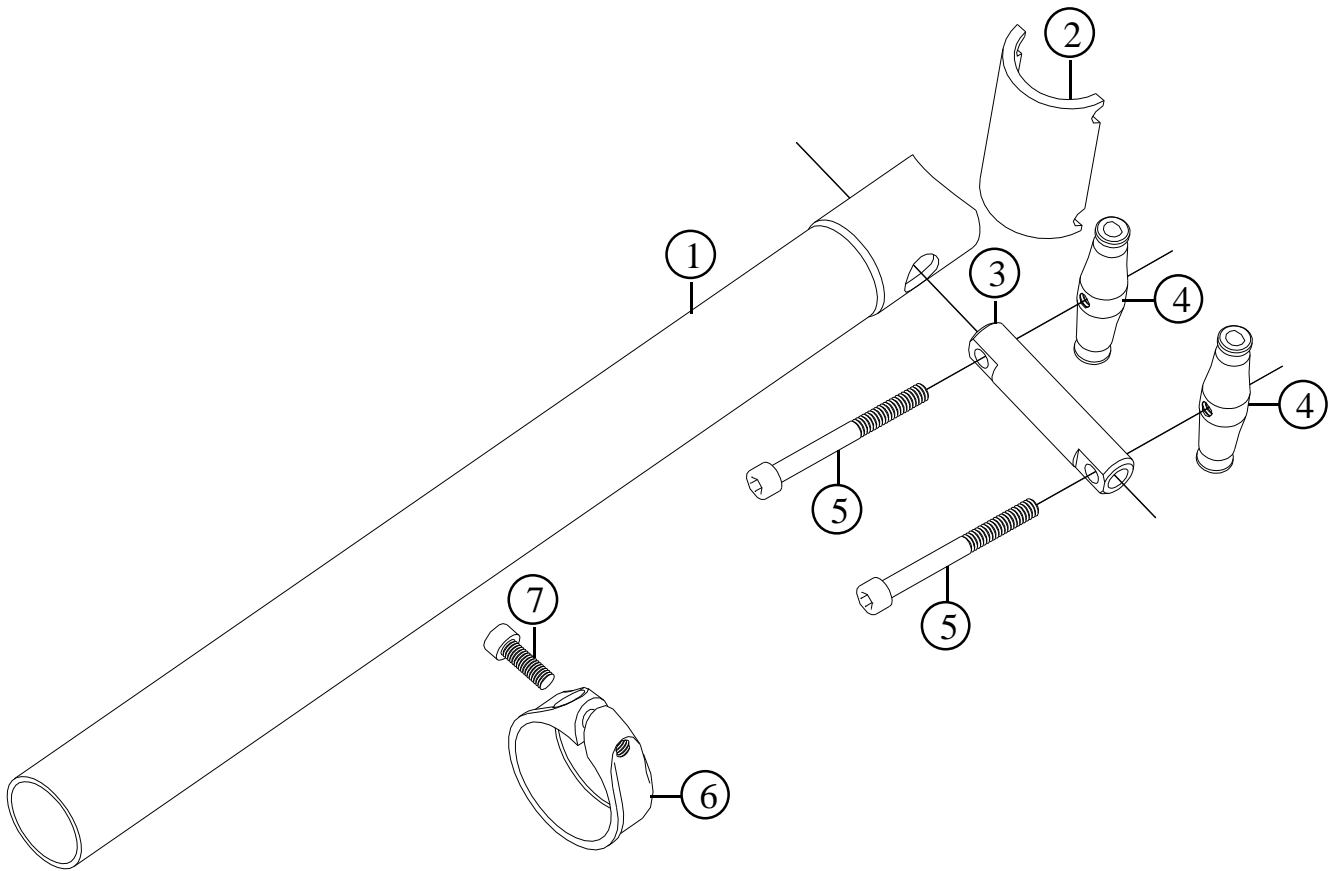
Specifications are subject to change without notice

# FRM

Seatpost for MTB

## ST-M10 30,9X350 & ST-M10 31,6X350 ST-M10 TI. 30,9X350 & ST-M10 Ti. 31,6x350

2010



Item no.	Code	DESCRIPTION	Price €
1	STM101C	Light Alloy Post 30,9 x 350mm . Externally double butted	56,00
1	STM101D	Light Alloy Post 31,6 x 350mm . Externally double butted	56,00
2	STM102R	Rails Cradle. Light Alloy. Red anodised	8,00
2	STM102R	Rails Cradle. Light Alloy. Gold anodised	8,00
2	STM102R	Rails Cradle. Light Alloy. Blue anodised	8,00
2	STM102R	Rails Cradle. Light Alloy. Black anodised	8,00
3	STM103	Pin for steel bolts. Silver anodised	6,00
3	STM103T	Pin for Titanium bolts. Black anodised	7,00
4	STM104	Rail Clamp for M5 Steel Bolts (2pcs)	6,30 pc
4	STM104T	Rail Clamp for M6 Titanium Bolts (2pcs)	6,30 pc
5	TCC550	Allen Bolt M5 x 50mm in Steel (2pcs)	0,30 pc
5	TCC558T	Allen Bolt M6 x 50mm in Titanium – Gold Plated. Special design (2pcs)	10,10 pc
6	STAC35BLK	SC35 Seat Clamp. 34,9mm dia Black. Without Bolt	11,50
6	STAC35G	SC35 Seat Clamp. 34,9mm dia Gold. Without Bolt	11,50
6	STAC35R	SC35 Seat Clamp. 34,9mm dia Red. Without Bolt	11,50
6	STAC35BE	SC35 Seat Clamp. 34,9mm dia Blue. Without Bolt	11,50
6	STAC32BLK	SC32 Seat Clamp. 31,6mm dia Black. Without Bolt	11,50
6	STAC32G	SC32 Seat Clamp. 31,6mm dia Gold. Without Bolt	11,50
6	STAC32R	SC32 Seat Clamp. 31,6mm dia Red. Without Bolt	11,50
6	STAC32BE	SC32 Seat Clamp. 31,6mm dia Blue. Without Bolt	11,50
7	TCC515S	Allen Bolt M5 x 15 / Steel	0,10
7	TCC515T	Allen Bolt M5 x 15 / Titanium – Gold Plated	4,90

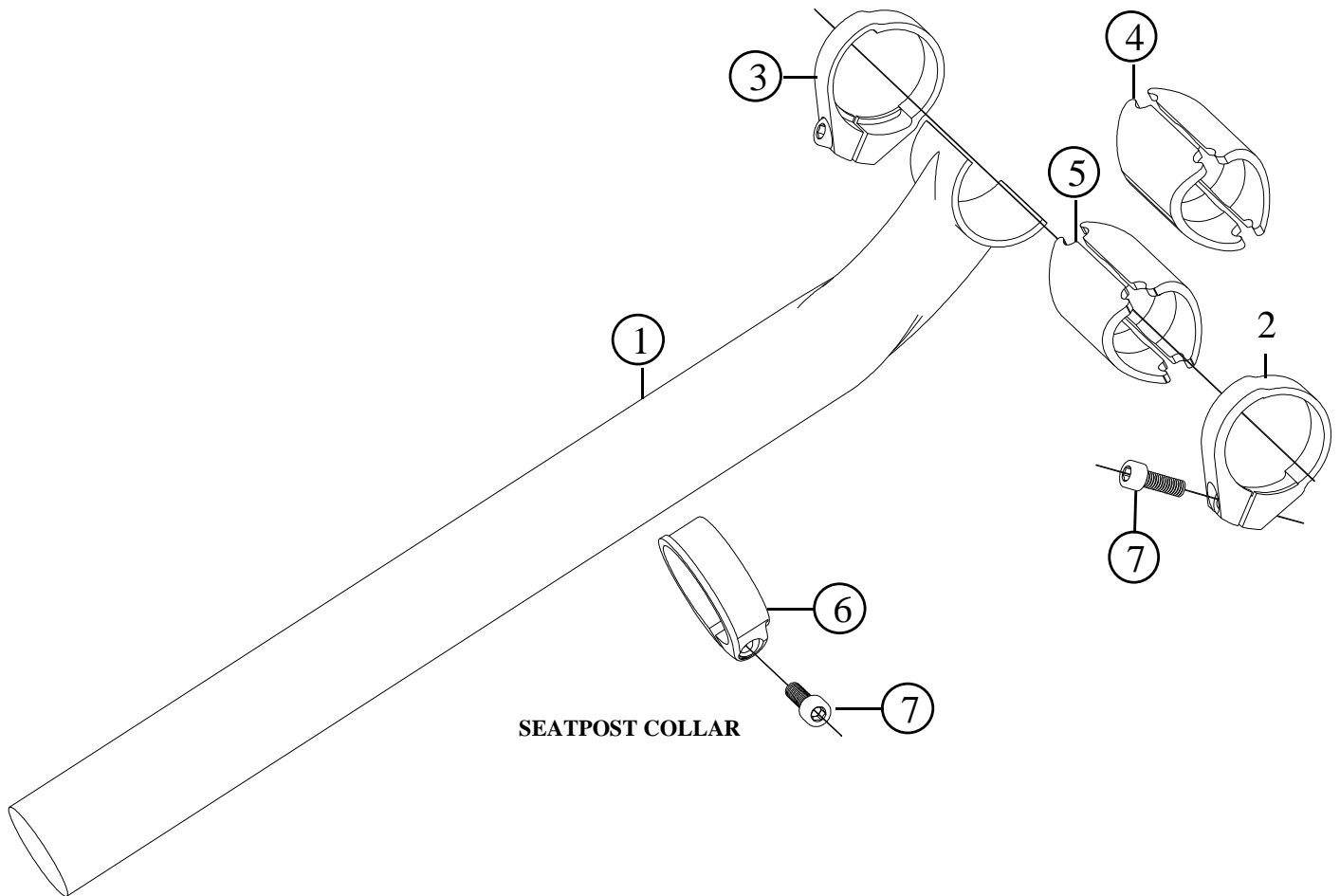
Note: modified from Spare Part Manual dated 2009

# FRM

Seatpost for Road & MTB

## ST-R Black Hole & ST-M Black Hole

2010



SEATPOST COLLAR

Item no.	Code	DESCRIPTION	Price €
1	STMRH	Seatpost 31,6 x 250mm. Carbon Fibre	260,00
1	STMBH	Seatpost 31,6 x 350mm. Carbon fibre	260,00
2	STBHCR	Right Hand Clamp. Black anodised	12,00
3	STBHCL	Left Hand Clamp. Black anodised	12,00
4	STBHRS	Craddle for regular railed saddles. Asymmetric. Titan anodised (2pcs)	14,00
5	STBHBHS	Craddle specific for FRM Black Hole Saddle. Black anodised (2pcs)	14,00
6	STAC35BLK	SC35 Seat Clamp. 34,9mm dia Black. Without Bolt	11,50
6	STAC35G	SC35 Seat Clamp. 34,9mm dia Gold. Without Bolt	11,50
6	STAC35R	SC35 Seat Clamp. 34,9mm dia Red. Without Bolt	11,50
6	STAC35BE	SC35 Seat Clamp. 34,9mm dia Blue. Without Bolt	11,50
6	STAC32BLK	SC32 Seat Clamp. 31,6mm dia Black. Without Bolt	11,50
6	STAC32G	SC32 Seat Clamp. 31,6mm dia Gold. Without Bolt	11,50
6	STAC32R	SC32 Seat Clamp. 31,6mm dia Red. Without Bolt	11,50
6	STAC32BE	SC32 Seat Clamp. 31,6mm dia Blue. Without Bolt	11,50
7	TCC515S	Allen Bolt M5 x 15 / Steel (2pcs)	0,10 pc
7	TCC515T	Allen Bolt M5 x 15 / Titanium – Gold Plated (2pcs)	4,90 pc

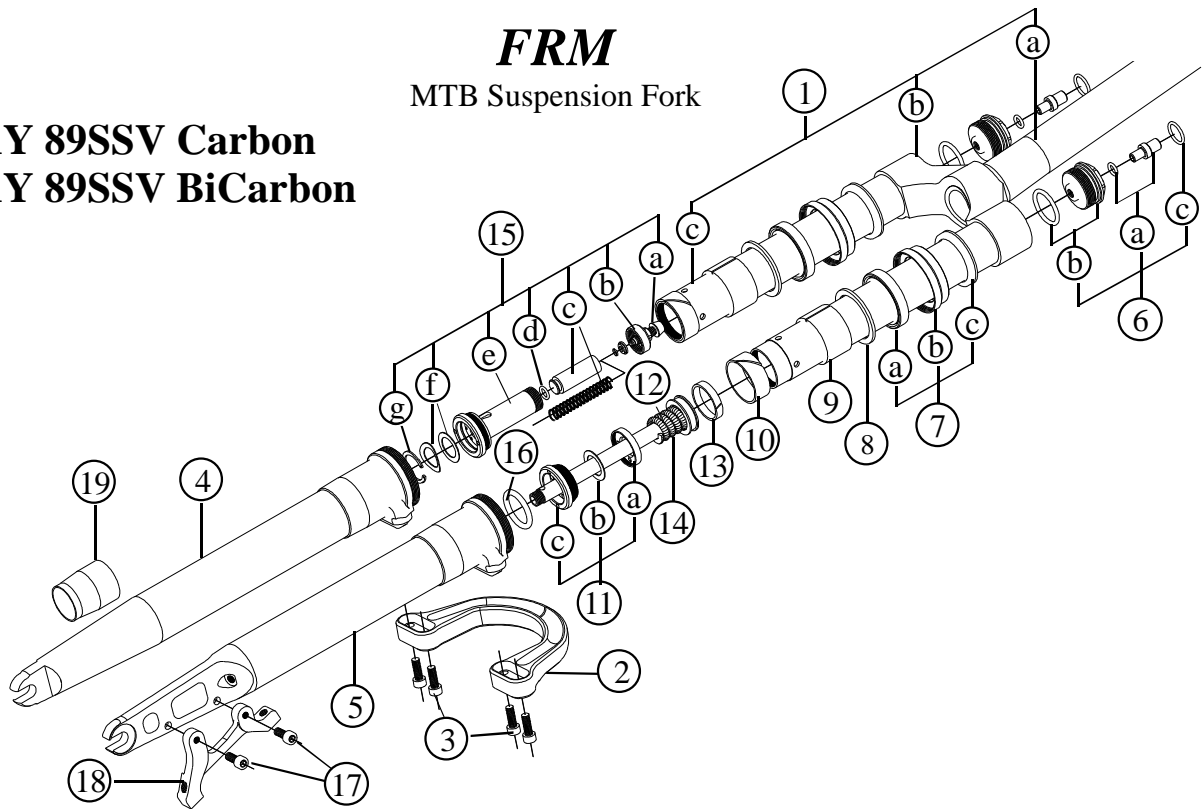
Note: modified from Spare Part Manual dated 2009

Specifications are subject to change without notice

# FRM

## MTB Suspension Fork

### AIR-WAY 89SSV Carbon AIR-WAY 89SSV BiCarbon 2010



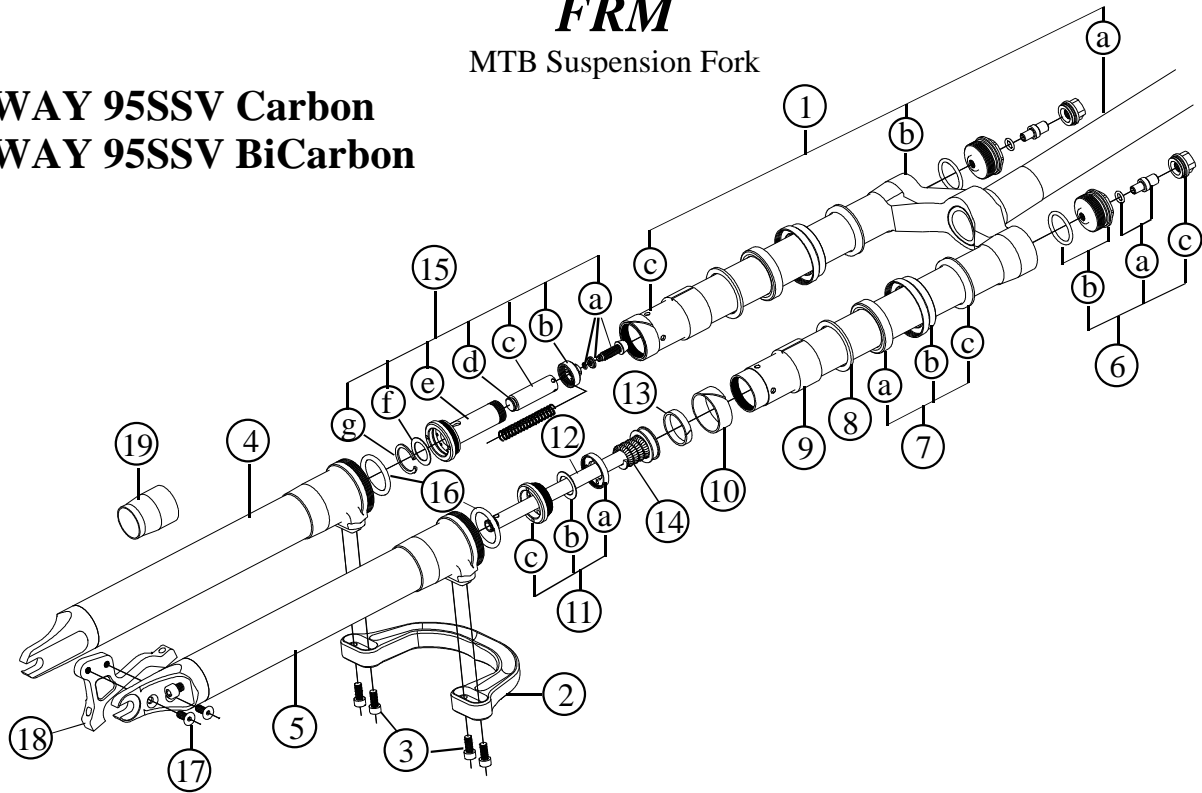
Item no.	Code	DESCRIPTION	Price €
1	06E30	Crown Assembly. Light Alloy Steerer Tube (Original equipment of 85-89 SSV Carbon)	242,50
1	06CE30	Crown Assembly. Carbon Fibre Steerer Tube (Original equipment of 85-89 SSV Bicarbon )	323,50
1c	AW85USR	Upper stanchion for replacement	65,00
2	03RBEVO	Reversed Brace. Light Alloy. Black (Original equipment of 85-89 SSV Carbon)	71,50
2	03RBEVOR	Reversed Brace. Light Alloy. Red (Original equipment of 85-89 SSV BiCarbon )	73,00
3	TCC512S	Brace Fixing Bolt. Allen M5 x 12mm. Steel (Original equipment of 85-89 SSV Carbon) (4pcs)	0,10 pc
3	TCC512Ti	Brace Fixing Bolt. Allen M5 x 12mm . Titanium, Gold Plated (Original equipment of 85-89 SSV BiCarbon)	4,60 pc
4	01RBC30EVO	Right Lower Leg. Carbon Fibre	158,50
5	02RBC30EVO	Left Lower Leg . Carbon Fibre	183,00
6	21A30	Air Valve Assembly (2sets)	11,60 set
6a	21D	Air Valve & O-Ring 2025 (I.D. 6,07 x 1,78mm)	5,30
6b	21B30	Air Valve Body & O-Ring 128 (I.D. 20,63 x 1,78mm)	6,30
6c	21C	Air Valve Cap & O-Ring 2050 (I.D. 12,42 x 1,78mm)	3,00
7	AW30SA	Seals Assembly (2sets)	11,50 set
7b	1730	Oil Seal Lock Ring / Light Alloy (2pcs)	5,40 pc
7a	16N	Oil Seal TTO 30 x 40 x 7mm (2pcs)	3,50 pc
7c	SA30	Dust Seal (2pcs)	3,00 pc
8	15N	Shim / Light Alloy 37,5 x 30 x 2mm (2pcs)	1,60 pc
9	14N	Upper Bushing. Iglodur W300 34 x 30 x 20mm (2pcs)	7,00 pc
10	13N	Lower Bushing. Polyzene 31,75 x 29,1 x 12mm (2pcs)	4,50 pc
11	07SP	Oil Valve Assembly	7,50
11a	07SPA	Oil Valve Cap	1,60
11b	07SPB	Oil Valve Shim—Steel 21,8 x 14,8 x 0,3mm	0,20
11c	07SPC	Oil Valve Body. Synthetic	6,00
Not Visible	18	Damping Adjustment Piston & O-Ring 2012 (I.D.) 2,90 x 1,78mm)	2,00
12	08SP	Piston/Shaft/Spring Assembly. 128mm long shaft. Light Alloy	16,80
13	11SP	Piston Seal FG 15049 4,9 x 1,5mm	0,50
14	09SP	Negative – Top-Out Spring	3,00
15	SSV	SSV Valve Assembly	16,00
15a	SSVA	Bolt in Light Alloy with Spring Plate and Circlip	3,20
15b	SSVB	SSV Valve Cap—Synthetic	1,60
15c	SSVC	SSV Piston and Spring dia. 8,6 x 50 mm	3,70
15d	SSVD	O-Ring 2031	-
15e	SSVE	SSV Body	6,70
15f	SSVF	Steel Shims 21,8 x 14,8 x 0,3mm (One flat – One bent)	0,50
15g	SSVG	Seeger 22V1	0,10
16	10A	Bottom-Out Damper. O-Ring (2pcs)	0,50 pc
17	24A	Disc Mount Fixing Bolt / Allen M5 x 12mm. Steel (Original equipment of 85-89 SSV Carbon) (2pcs)	0,10 pc
17	TCC512Ti	Disc Mount Fixing Bolt. Allen M5 x 12mm. Titanium, Gold Plated (85-89 SSV BiCarbon) (2pcs)	4,60 pc
18	AW1	Post-Mount AW1 Disc Brake Mount for 160mm rotors. Light Alloy	19,10
19	OST30	Oil Seal Tool for 30 mm stanchions	4,50
		Motul Fork Oil Factory Line – Light 5W 200 cc	11,90
		Motul Fork Oil Factory Line – Light 5W 1.000 cc	25,40

Specifications are subject to change without notice

# FRM

## MTB Suspension Fork

### AIR-WAY 95SSV Carbon AIR-WAY 95SSV BiCarbon 2010



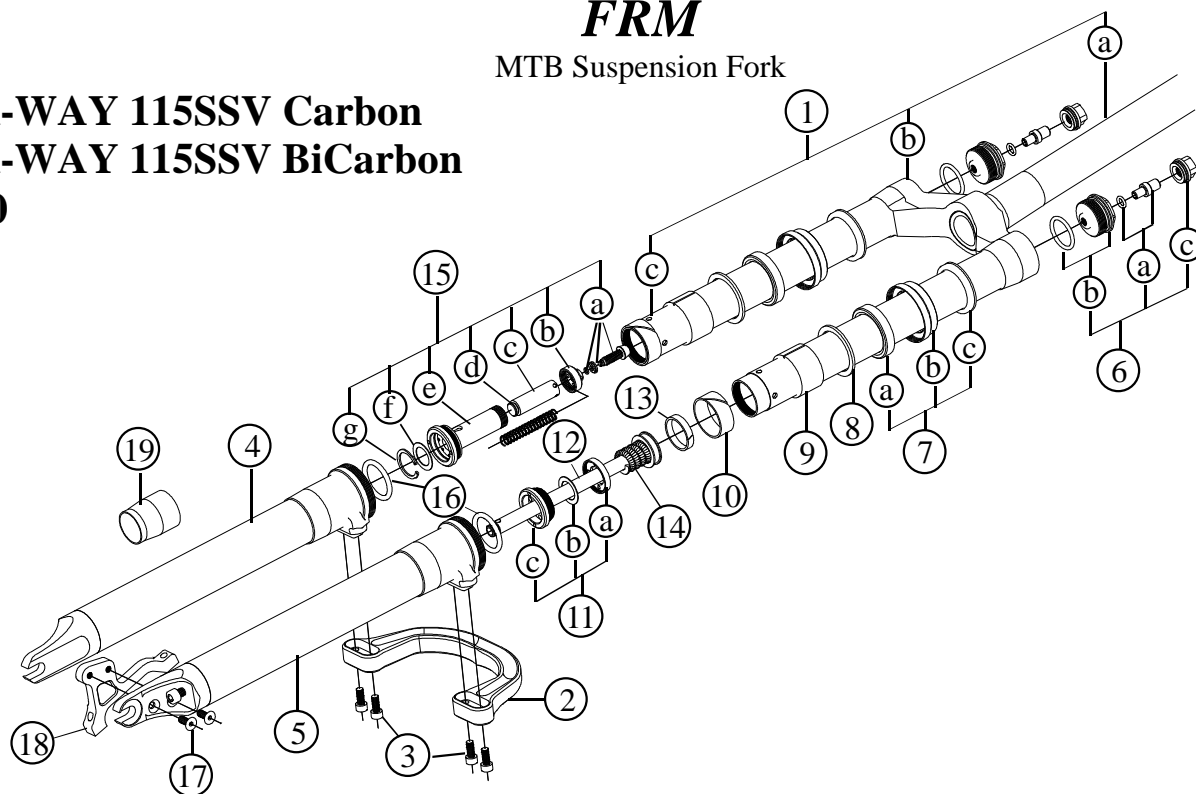
Item no.	Code	DESCRIPTION	Price €
1	06M30	Crown Assembly. Light Alloy Steerer Tube (Original equipment of 90-95 SSV Carbon)	283,00
1	06CM30	Crown Assembly. Carbon Fibre Steerer Tube (Original equipment of 90-95 SSV BiCarbon)	369,00
		Upper stanchion for replacement	65,00
2	03N06	Reversed Brace. Light Alloy. Black (Original equipment of 90-95 SSV Carbon)	71,50
2	03N06R	Reversed Brace. Light Alloy (Original equipment of 90-95 SSV BiCarbon)	73,00
3	04	Brace Fixing Bolt. Allen M5 x 12mm / Steel (Original equipment of 90-95 SSV Carbon) (4pcs)	0,10 pc
3	04T	Brace Fixing Bolt. Allen M5x12mm. Titanium, Gold Plated (Original equipment of 90-95 SSV BiCarbon)	4,60 pc
4	01CN07	Right Lower Leg. Carbon Fibre	194,00
5	02CN07	Left Lower Leg. Carbon Fibre (Post-Mount dropout)	232,00
6	21A30	Air Valve Assembly (2 sets)	11,60 set
6a	21D	Air Valve & O-Ring 2025 (I.D. 6,07 x 1,78mm)	5,30
6b	21B30	Air Valve Body & O-Ring 128 (I.D. 20,63 x 1,78mm)	6,30
6c	21C	Air Valve Cap & O-Ring 2050 (I.D. 12,42 x 1,78mm)	3,00
7	AW30SA	Seals Assembly (2 sets)	11,50 set
7b	1730	Oil Seal Lock Ring. Light Alloy (2pcs)	5,40 pc
7a	16N	Oil Seal TTO 30 x 40 x 7mm (2pcs)	3,50 pc
7c	SA30	Dust Seal (2pcs)	3,00 pc
8	15N	Shim / Light Alloy 37,5 x 30 x 2mm (2pcs)	1,60 pc
9	14N	Upper Bushing. Iglodur W300 34 x 30 x 20mm (2pcs)	7,00 pc
10	13N	Lower Bushing. Polyzene 31,75 x 29,1 x 12mm (2pcs)	4,50 pc
11	07SP	Oil Valve Assembly	7,50
11a	07SPA	Oil Valve Cap	1,60
11b	07SPB	Oil Valve Shim. Steel 21,8 x 14,8 x 0,3mm	0,20
11c	07SPC	Oil Valve Body. Synthetic	6,00
Not Visible	18	Damping Adjustment Piston & O-Ring 2012 (I.D.) 2,90x1,78mm)	2,00
12	08SP	Piston/Shaft/Spring Assembly. 128mm long shaft. Light Alloy	16,80
13	11SP	Piston Seal FG 15049 4,9 x 1,5mm	0,50
14	09SP	Negative Top-Out Spring. Green 18,4 x 25 mm	3,00
15	SSV	SSV Valve Assembly	16,00
15a	SSVA	Bolt in Light Alloy with Spring Plate and Circlip	3,20
15b	SSVB	SSV Valve Cap. Synthetic	1,60
15c	SSVC	SSV Piston and Spring dia. 8,6 x 50 mm	3,70
15d	SSVD	O-Ring 2031	-
15e	SSVE	SSV Body	6,70
15f	SSVF	Steel Shims 21,8 x 14,8 x 0,3mm (One flat – One bent)	0,50
15g	SSVG	Seeger 22V1	0,10
16	10A	Bottom-Out Damper . O-Ring (2pcs)	0,50 pc
17	24A	Disc Mount Fixing Bolt. Cone Head M5. Steel (2pcs)	0,20 pc
18	AW2	Post-Mount AW2 Disc Brake Mount for 160mm rotors. Light Alloy	19,10
19	OST30	Oil Seal Tool for 30 mm stanchions	4,50
		Motul Fork Oil Factory Line – Light 5W 200 cc	11,90
		Motul Fork Oil Factory Line – Light 5W 1.000 cc	25,40

Specifications are subject to change without notice

# FRM

## MTB Suspension Fork

### AIR-WAY 115SSV Carbon AIR-WAY 115SSV BiCarbon 2010



Item no.	Code	DESCRIPTION	Price €
1	06N30	Crown Assembly / Light Alloy Steerer Tube (110-115 SSV Carbon)	283,00
1	06CN30	Crown Assembly / Carbon Fibre Steerer Tube (110-115 SSV BiCarbon)	369,00
		Upper stanchion for replacement	65,00
2	03N06	Reversed Brace / Light Alloy. Black (110-115 SSV Carbon)	71,50
2	03N06R	Reversed Brace / Light Alloy (110-115 SSV BiCarbon)	73,00
3	04	Brace Fixing Bolt / Allen M5x12mm / Steel (110-115 SSV Carbon) (4pcs)	0,10 pc
3	04T	Brace Fixing Bolt / Allen M5x12mm / Titanium – Gold Plated (110-115 SSV BiCarbon) (4pcs)	4,60 pc
4	01CN07	Right Lower Leg / Carbon Fibre	194,00
5	02CN07	Left Lower Leg / Carbon Fibre (Post-Mount dropout)	232,00
6	21A30	Air Valve Assembly (2sets)	11,60 set
6a	21D	Air Valve & O-Ring 2025 (I.D. 6,07 x 1,78mm)	5,30
6b	21B30	Air Valve Body & O-Ring 128 (I.D. 20,63 x 1,78mm)	6,30
6c	21C	Air Valve Cap & O-Ring 2050 (I.D. 12,42 x 1,78mm)	3,00
7	AW30SA	Seals Assembly (2sets)	11,50 set
7b	1730	Oil Seal Lock Ring / Light Alloy (2pcs)	5,40 pc
7a	16N	Oil Seal TTO 30 x 40 x 7 mm (2pcs)	3,50 pc
7c	SA30	Dust Seal (2pcs)	3,00 pc
8	15N	Shim / Light Alloy 37,5x30x2mm (2pcs)	1,60 pc
9	14N	Upper Bushing / Iglodur W300 34 x 30 x 20mm (2pcs)	7,00 pc
10	13N	Lower Bushing / Polyzene 31,75 x 29,1 x 12mm (2pcs)	4,50 pc
11	07SP	Oil Valve Assembly	7,50
11a	07SPA	Oil Valve Cap	1,60
11b	07SPB	Oil Valve Shim—Steel 21,8 x 14,8 x 0,3mm	0,20
11c	07SPC	Oil Valve Body / Synthetic	6,00
Not Visible	18	Damping Adjustment Piston & O-Ring 2012 (I.D.) 2,90 x 1,78mm)	2,00
12	08NSP	Piston/Shaft/Spring Assembly. 151mm long Shaft / Light Alloy	16,80
12	11SP	Piston Seal FG 15049 4,9 x1,5 mm	0,50
14	09SP	Negative – Top-Out Spring—Green 18,4 x 25 mm	3,00
15	SSV	SSV Valve Assembly	16,00
15a	SSVA	Bolt in Light Alloy with Spring Plate and Circlip	3,20
15b	SSVB	SSV Valve Cap—Synthetic	1,60
15c	SSVC	SSV Piston and Spring dia. 8,6 x 50 mm	3,70
15d	SSVD	O-Ring 2031	-
15e	SSVE	SSV Body	6,70
15f	SSVF	Steel Shims 21,8 x 14,8 x 0,3 mm (One flat – One bent)	0,50
15g	SSVG	Seeger 22V1	0,10
16	10A	Bottom-Out Damper / O-Ring (2pcs)	0,50 pc
17	24A	Disc Mount Fixing Bolt / Cone Head M5 x 12mm (2pcs)	0,20 pc
18	AW3	Post-Mount AW3 Disc Brake Mount for 180mm rotors/ Light Alloy	19,10
19	OST30	Oil Seal Tool for 30 mm stanchions	4,50
		Motul Fork Oil Factory Line – Light 5W 200 cc	11,90
		Motul Fork Oil Factory Line – Light 5W 1.000 cc	25,40

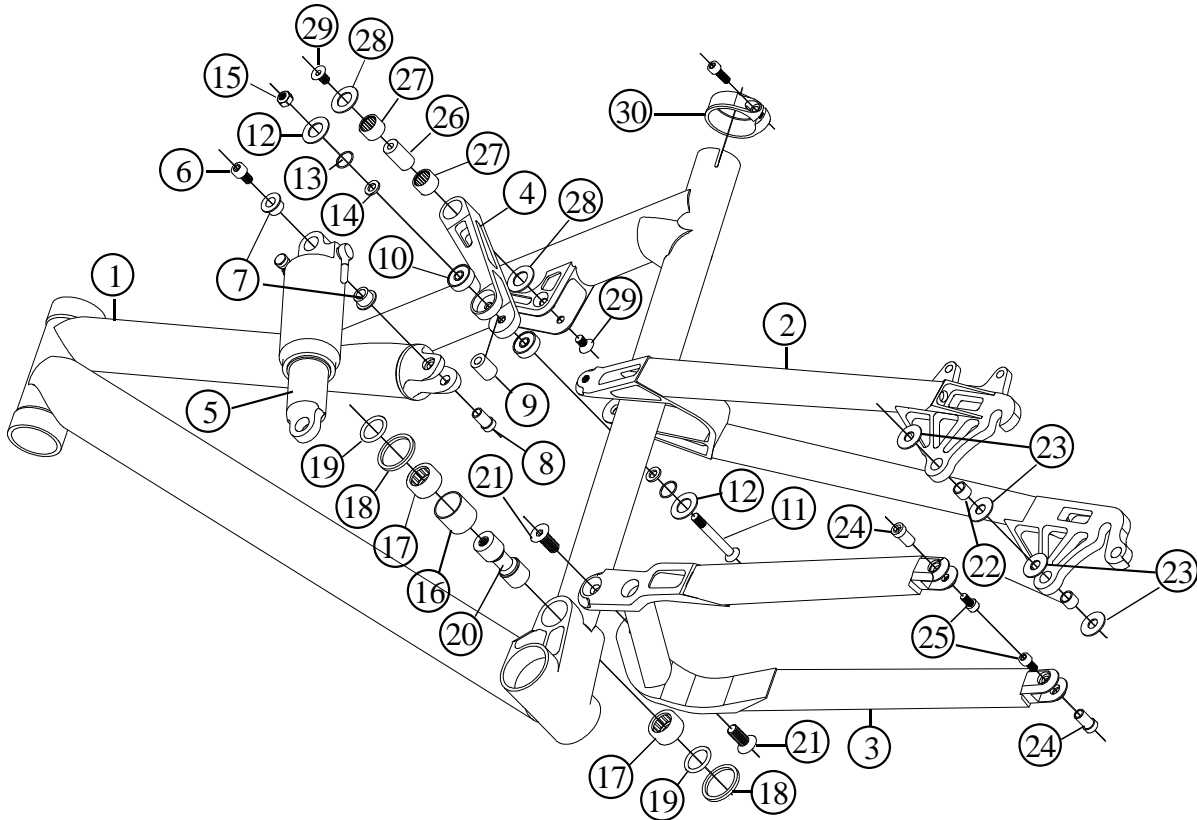
Specifications are subject to change without notice

# FRM

Suspension Frame

12 HP

2010



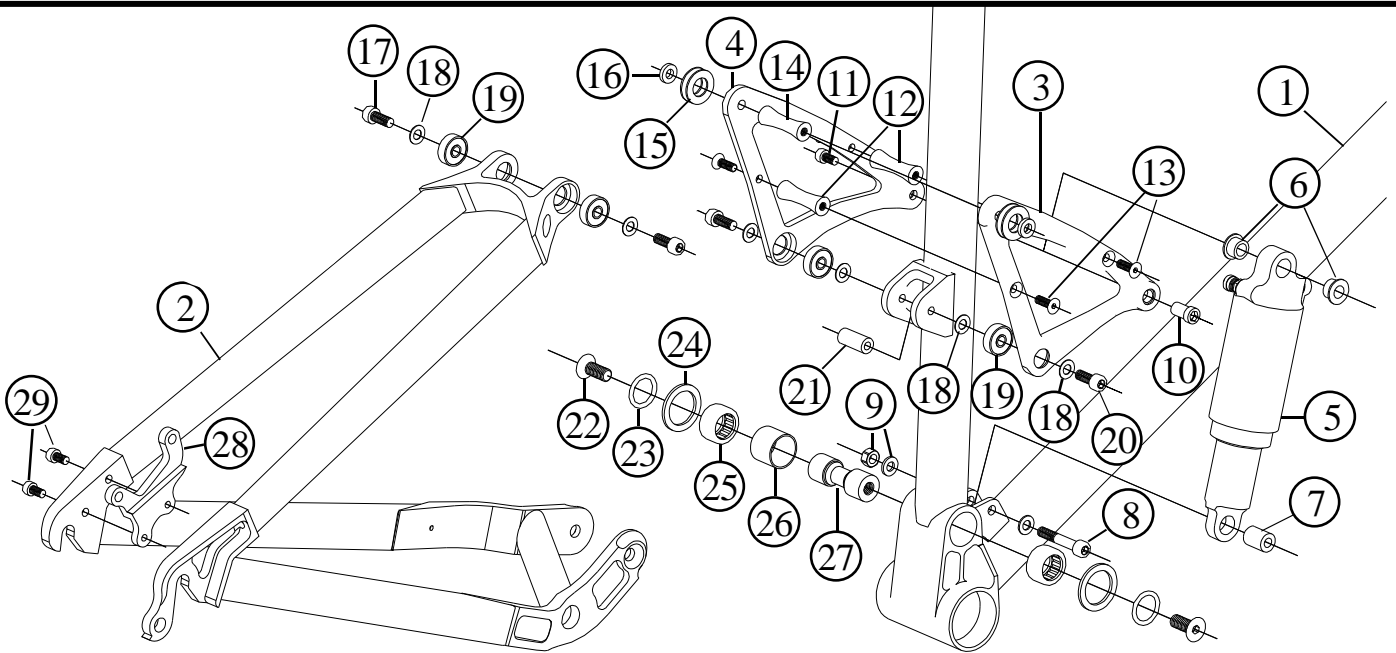
Item no.	Code	DESCRIPTION	Price €
1	12HPMF06	Main Frame Black anodised (17,5" –19" – 20,5")	620,00
2	SSBAP03	Seat-Stay Assembly	210,00
3	CSBAP03	Chain-Stay Assembly	210,00
4	12HPSL06	Swing Link (Gold anodised)	31,00
6	TCE610	Allen Bolt M6 x 10 mm	0,15
7	UESBAXF	Spacer of Shock Upper Eye (2 pcs) Specify Shock Type	1,50 pc
8	HLP03	Axle of the Shock Upper Eye (Light Alloy)	3,20
9	LEAXF	Axle of Shock Lower Eye. Specify Shock type	1,50
10	BB1966	Ball Bearing 19 x 6 x 6 2RS (2 pcs)	3,00 pc
11	CL205	Cone-Headed Bolt M6 x 55mm (Non Commercial - Special Design)	6,80
12	WD022	Plastic Washer dia. 22mm (2 pcs)	0,70 pc
13	OR12085	O-Ring 11,7 x 0,85 (2pcs)	0,10 pc
14	SW1215	Steel Washer 12 x 1,5mm (6pcs)	0,05 pc
15	SNM6	Self-Locking nut M6	0,15
16	MPRS	Main Pivot Bearings Spacer. Light Alloy	1,20
17	MPR96	Main Pivot Needle Bearing (2pcs)	6,50 pc
18	WD030	Plastic Washer dia. 30mm (2pcs)	0,80 pc
19	ORD22	O-Ring dia. 22mm (2pcs)	0,14 pc
20	MPA97	Main Pivot Axle (Light Alloy with Steel Sleeves)	10,00
21	TSE820	Cone-Headed Bolt M8 x 20 (2 pcs)	0,25 pc
22	HLB96	DU Horst Link Bushing (2 pcs)	0,70 pc
23	WD018	Plastic Washer dia. 18mm (4 pcs)	0,70 pc
24	HLP96	Horst Link Axle (2pcs)	3,20 pc
25	TCE610	Allen Bolt M6 x 10 (2 pcs)	0,14 pc
26	RAA96	Rocker Arm Axle (hardened steel )	4,00 pc
27	RAR96	Rocker Arm Needle Bearing (2pcs)	5,00 pc
28	WD022	Plastic Washer dia. 22mm (2pcs)	0,70 pc
29	TSE610	Cone-Headed Bolt M6 x 10 (2 pcs)	0,15 pc
30	STAC32R	SC32 Seat Clamp. 31,6mm dia Red. With steel bolt	11,60
	12HPDEC	Decals Kit (Metallic Red)	30,00

Specifications are subject to change without notice

# FRM

## 10HP Pro & 10HP Team

2010



Item no.	Code	DESCRIPTION	Price €
1	HPMF03	Main Frame Titan anodised (17,5" –19" – 20,5")	600,00
2	HPS03	One-Piece Suspension	420,00
3	HPRAR04	Rocker Arm Right Plate (Black Anodised)	22,,00
4	HPRAL04	Rocker Arm Left Plate (Black Anodised)	22,00
6	UES10HP	Spacer of the Shock Upper Eye (2 pcs) Specify shock type	1,50 pc
7	LEAXF	Axle of Shock Lower Eye – Specify shock type	1,50
8	TCE635	Allen Bolt M6 x 35 & Washer	0,30
8	TCE635Ti.	Allen Bolt M6 x 35 Titanium. Original equipment of 10HP Team	12,60
9	SNM6	Self-Locking nut M6 & Washer	0,15
10	HLP03	Axle of the Shock Upper Eye (Light Alloy)	3,20
11	TCE610	Allen Bolt M6 x 10	0,15
11	TCE610E	Allen Bolt M6 x 10 Light Alloy. Original equipment of 10HP Team	1,70
12	HPRS5	Fuse-Shaped Spacer M5 (2pcs)	3,70 pc
13	TSE515	Cone-Headed Bolt M5 x 15 (4 pcs)	0,15 pc
14	HPRS6	Fuse-Shaped Spacer M6	3,70
15	WD022	Plastic Washer dia. 22mm (4 pcs)	0,70 pc
16	BW1245	Brass Washer 12 x 4,5mm (2pcs)	0,50 pc
17	TCE625	Allen Bolt M6 x 25 (2pcs)	0,25 pc
17	TCE625Ti.	Allen Bolt M6 x 25 Light Alloy (2pcs). Original equipment of 10HP Team	2,30 pc
18	SW1215	Steel Washer 12 x 1,5mm (6pcs)	0,05 pc
19	BB1966	Ball Bearing 19 x 6 x62 RS (4pcs)	2,50 pc
20	TCE620	Allen Bolt M6 x 20 (2pcs)	0,20 pc
20	TCE620Ti.	Allen Bolt M6 x 20 Light Alloy (2pcs). Original equipment of 10HP Team	2,00 pc
21	HPRAS6	Light Alloy Rod M6	2,50
22	TSE820	Cone-Headed Bolt M8 x 20 (2 pcs)	0,25 pc
22	TSE820Ti.	Cone-Headed Bolt M8 x 20 Light Alloy (2 pcs). Original equipment of 10HP Team	3,50 pc
23	ORD22	O-Ring dia. 22mm (2pcs)	0,14 pc
24	WD030	Plastic Washer dia. 30mm (2pcs)	0,80 pc
25	MPR96	Main Pivot Needle Bearing (2pcs)	6,50 pc
26	MPRS	Main Pivot Bearings Spacer. Light Alloy	1,20
27	MPA97	Main Pivot Axle (Light alloy with steel sleeves)	10,00
28	DISC96	Disc Brake Adaptor	20,00
29	TCE512	Allen Bolt M5 x 12mm Steel (2pcs)	0,10 pc
29	TCC512Ti	Allen Bolt M5 x 12mm Titanium (2pcs). Original equipment of 10HP Team	4,90 pc
	10HPDEC	Decals Kit (Metallic Red)	30,00

Specifications are subject to change without notice

# ***FRM***

**Manufactured and distributed by:**

**The Bike Shop**

**Via Mattei 18/a**

**48025 Riolo Terme (RA)**

**Italy**

**tel. +39 0546 70310**

**fax +39 0546 74623**

**e-mail: [info@frmbike.com](mailto:info@frmbike.com)**

**Ordini Italia: [barbara@frmbike.biz](mailto:barbara@frmbike.biz)**

**Foreign orders: [jane@frmbike.biz](mailto:jane@frmbike.biz)**

**[www.frmbike.com](http://www.frmbike.com)**